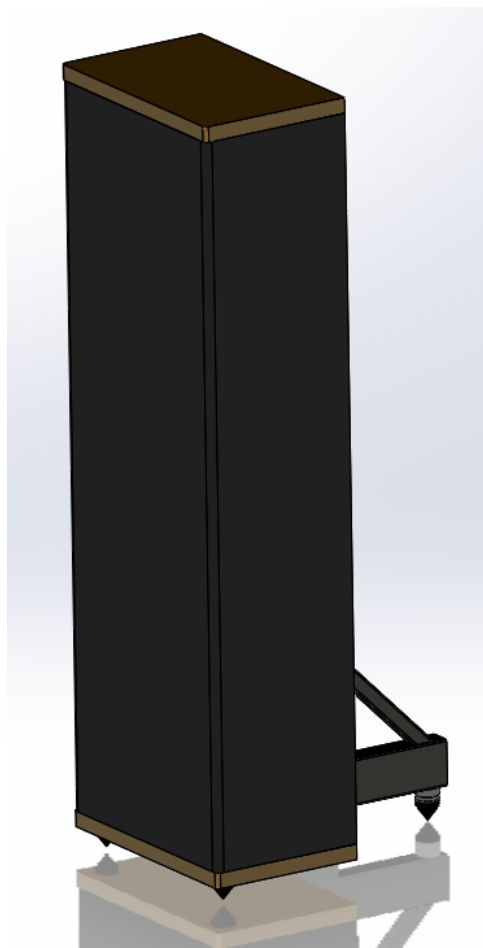


# Sound Anchors Vandersteen III

## Instructions



Sound Anchors  
2835 Kirby Cir NE Unit 110  
Palm Bay, FL 32905  
321-724-1237

[Office@Soundanchors.com](mailto:Office@Soundanchors.com)

[www.soundanchors.com](http://www.soundanchors.com)

Thank you for purchasing Sound Anchors stands for Vandersteen III speakers. This Sound Anchors stand was designed specifically for this speaker model to bring out its maximum performance. This stand will give the speaker a deeper and sturdier base making it better for mass loading and bringing out a clearer and more natural sound. It will use the hardware included with the speaker, along with a few things from us to fasten it to the stand. If you have any questions about the set up process, the stands themselves, or any other aspect of Sound Anchors, feel free to contact us at 321-724-1237. Mark or Bernie will be more than happy and willing to help you with any questions you may have.

## **Hardware and Parts**

Here is a list and picture of the hardware included by Sound Anchors for the Vandersteen III stands. You will also need some hardware that is included with the speakers themselves. The Vandersteen III speakers should come with spikes at the bottom and a few ¼" bolts, as well. We will explain how to use those items in the assembly procedure.



### Sound Anchors Vandersteen 3 Hardware List:

1. 2ea ½" thick spacer
2. 2ea ¼" thick spacer
3. 6ea 1/16" thick spacer
4. 4ea ¼"ID x 1"OD flat washers
5. 2ea ¼-20 x 5" socket head cap screws
6. 1ea 3/16 hex wrench

## Assembly: DO NOT INVERT SPEAKER WITH CABLES CONNECTED

The Sound Anchors stands paired with the cones provided with the speakers create a sturdy three-point triangular footing that couples the speakers to the floor. These instructions will help you assemble the Vandersteen III speaker to the Sound Anchors dedicated stands.

1. The speakers should come with cones for the bottom of your set up. Using one cone for each stand, place one  $\frac{1}{2}$ " spacer, one  $\frac{1}{4}$ " spacer, and three  $\frac{1}{16}$ " spacers on the stud of the cone, as shown in Figure 1. Screw the cone, with the spacers, into the threaded hole on the bottom of the stand.

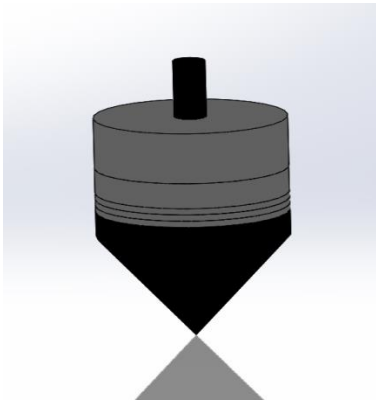


Figure 1

2. Turn the speaker upside-down on a padded surface.
3. Install the rear brace into the recess on the bottom of the speaker as shown in Figure 2. Loosely attach the brace with a  $\frac{1}{4}$ -20 x 5" Socket Head Cap Screw and  $\frac{1}{4}$ " Flat washer into the rear of the speaker. Use the two  $\frac{1}{4}$ " screws that come with the speaker to attach the stand at the bottom.

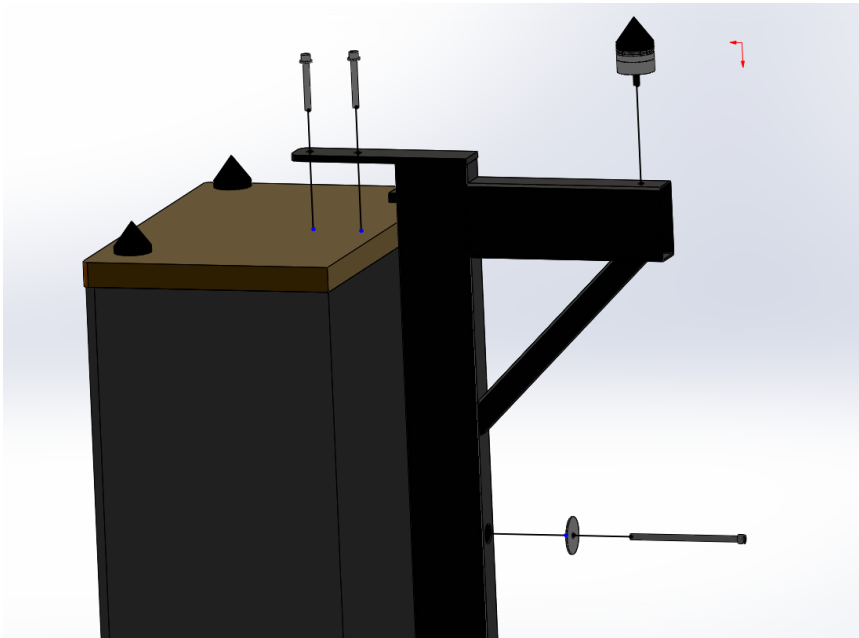


Figure 2

4. Use the 3/16 Hex Wrench, included in the hardware pack, to tighten the screws in the bottom, and the one in the back one turn past finger tight.
5. Turn the speaker right-side up.
6. To set your speakers to the proper listening angle and height, refer to the Model Three Operation Manual provided with the speakers. To adjust the angle of each speaker, remove one or more of the spacers on the rear cone. Ensure to adjust each speaker individually in case there are irregularities in the floor.