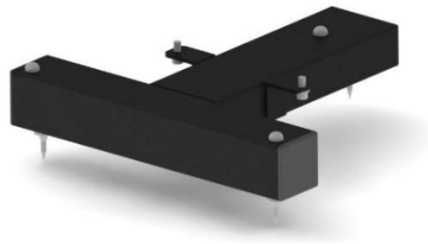


Sound Anchors Vandersteen 1b-1c

Instructions



Sound Anchors
2835 Kirby Cir NE Unit 110
Palm Bay, FL 32905
321-724-1237

Office@Soundanchors.com

www.soundanchors.com

Thank you for purchasing Sound Anchors stands for Vandersteen 1b and 1c speakers. This Sound Anchors stand was designed specifically for this speaker model to bring out its maximum performance. This stand will give the speaker a deeper and sturdier base making it better for mass loading and bringing out a clearer and more natural sound. It will use the hardware included to fasten it to the stand. If you have any questions about the set up process, the stands themselves, or any other aspect of Sound Anchors, feel free to contact us at 321-724-1237.

Hardware and Parts

Here is a list and picture of the hardware included by Sound Anchors for the Vandersteen III stands. You will also need some hardware that is included with the speakers themselves. The Vandersteen III speakers should come with spikes at the bottom and a few ¼" bolts, as well. We will explain how to use those items in the assembly procedure.



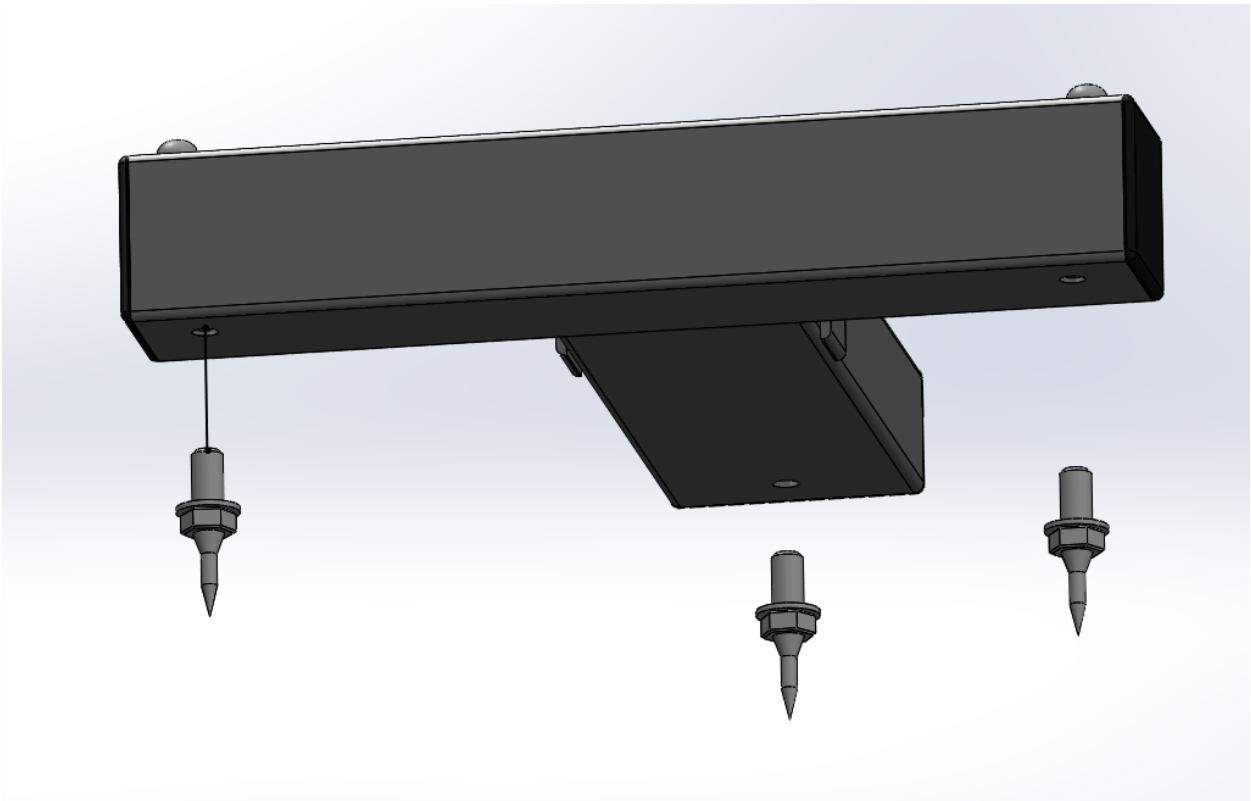
Sound Anchors Vandersteen 1b-1c Hardware List:

1. 6ea 3/8-16 Spikes
2. 6ea 3/8-16 Jam Nuts
3. 6ea 3/8 flat washers
4. 4ea ¼-20 x 5/8 socket head cap screws
5. 4ea ¼ flat washers
6. 1ea 3/16 hex wrench
7. 1ea 5/32 hex wrench

Assembly:

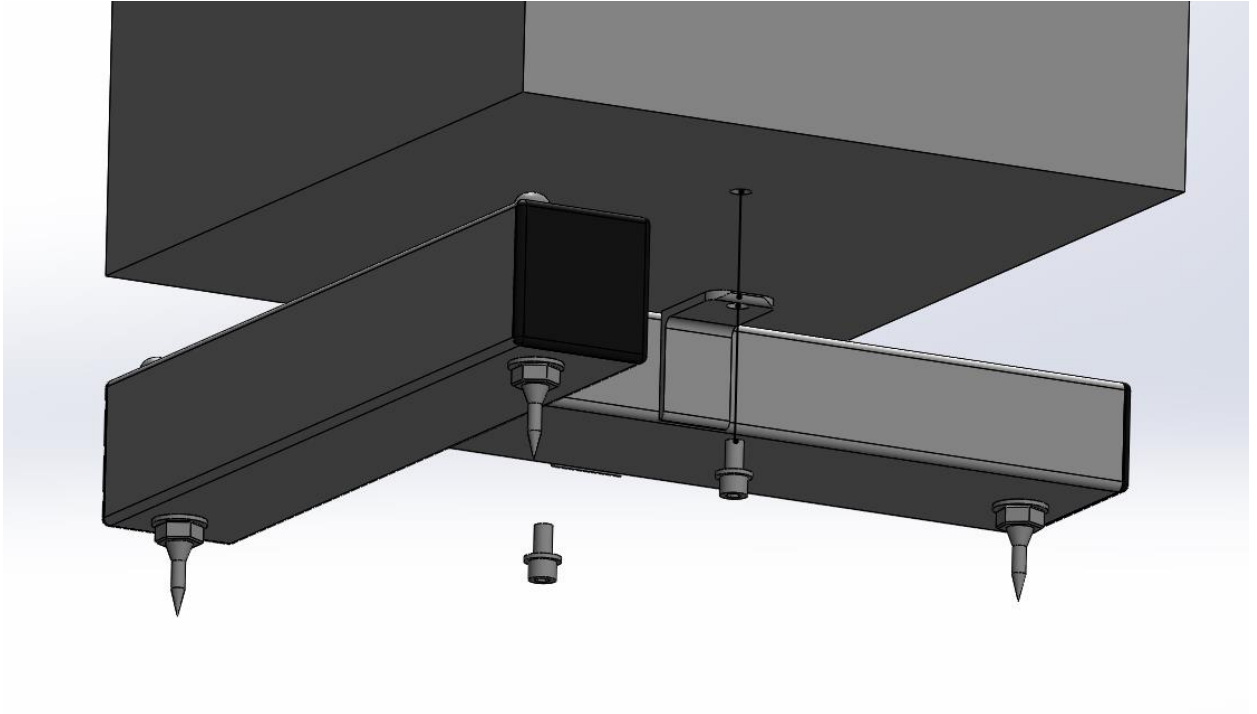
The Sound Anchors stand creates a sturdy three-point triangular footing that couples the speaker to the floor. These instructions will help you assemble the Vandersteen 1b or 1c speaker to the Sound Anchors dedicated stand.

1. Fasten the 3/8-16 spikes, jam nuts, and washers to the bottom of the stand. Level stand using a torpedo level and position the stands where the speakers will be set up.



2. Place speaker on top of stand. The speaker will rest on the button head screws that should already be installed into the stand. The speaker should be flush with the front of the stand and centered left to right.

3. Fasten the speaker to the stand using the ¼-20 x 5/8 socket head cap screws and flat washers provided.



Once assembly is complete, you may enjoy your Vandersteen 1b or 1c speakers to their fullest potential.