

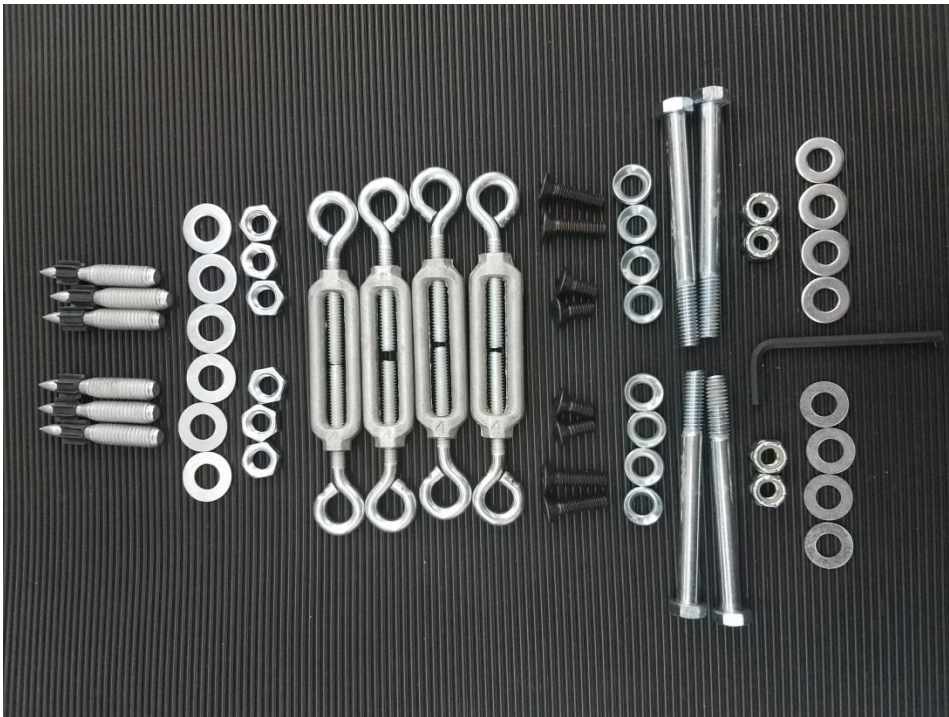
Magnepan MG 3.6/3.7 Stand Instructions



Thank you for purchasing Sound Anchors stands for your Magnepan 3.6/3.7 speakers. These Instructions are intended to help guide you through the assembly process. If you have any questions, feel free to contact us at 321-724-1237

INVENTORY

- 1) 2 ea. Uprights
- 2) 2 ea. Bases
- 3) 6 ea. 3/8-16 Spikes
- 4) 6 ea. 3/8-16 Jam Nuts
- 5) 6 ea. 3/8 flat washers
- 6) 4 ea. Turnbuckles
- 7) 4 ea. 1/4-20 x 5/8" Flat Head Cap Screws
- 8) 4 ea. 1/4-20 x 1" Flat Head Cap Screws
- 9) 8 ea. 1/4" Flared Washers
- 10) 4 ea. 5/16-18 x 3 1/2" Hex Head Cap Screw
- 11) 4 ea. 5/16-18 Nyloc Nuts
- 12) 8 ea. 5/16 Flat Washers
- 13) 1 ea. 5/32 Hex Key



Assembling the Stand

1. Check to see that you have all of the listed parts on the previous page.
2. Fasten the base and upright together using 5/16 hex head cap screws, 5/16 flat washers, and 5/16-18 nyloc nuts as shown in *Figure 1*.
3. Adjust the turnbuckles so that they are all the same length and have the same amount of threads showing at each end.
4. Install the turnbuckles using one 1/4-20 x 1" Flat Head Bolt and flared 1/4" Washer into the upright and one 1/4-20 x 5/8" Flat Head Bolt and flared 1/4" Washer into the base through the corresponding holes in *Figure 2*.
5. Adjust the turnbuckles so that the uprights are vertical
6. Install the spikes into the threaded holes on the bottom of the stand. Use one 3/8-16 Flat Washer, one 3/8-16 Jam Nut, and one 3/8-16 spike as shown in *Figure 3*.
7. Your stands are now assembled and ready to be fastened to your speakers. They should resemble *Figure 4*.

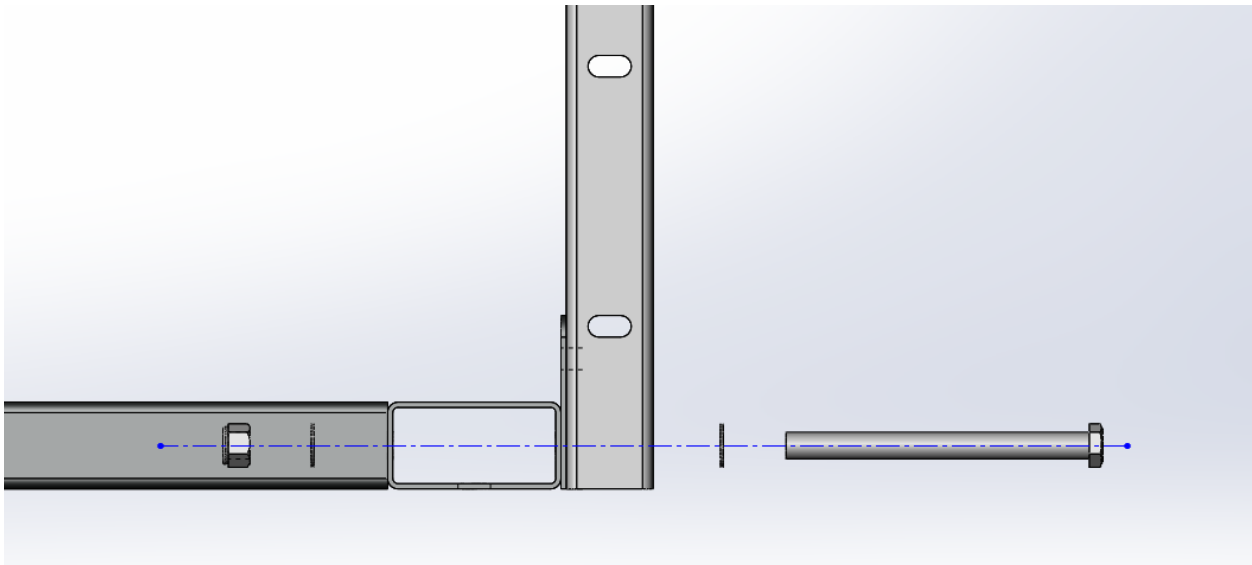
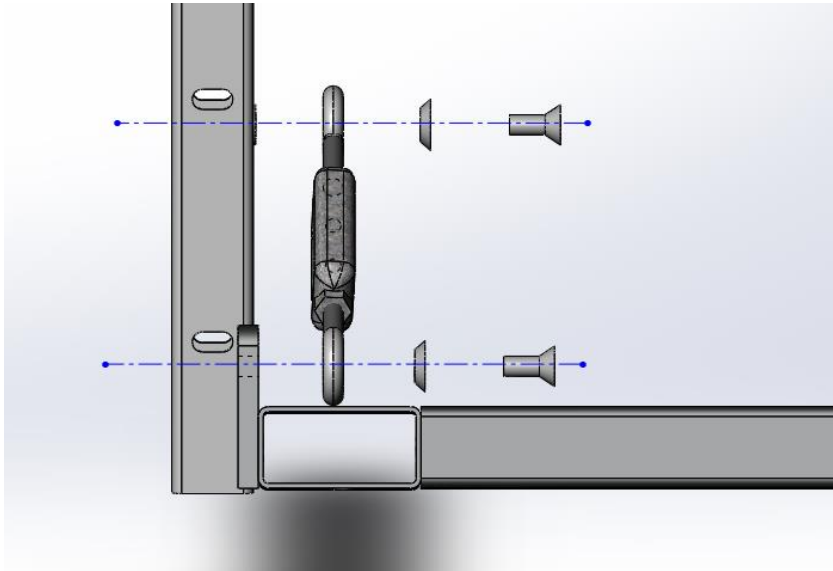


Figure 1



1ea 1/4-20 x 1" Flat Head Screw
1ea 1/4" Flared Washer

1ea 1/4-20 x 5/8" Flat Head Screw
1ea 1/4" Flared Washer

Figure 2

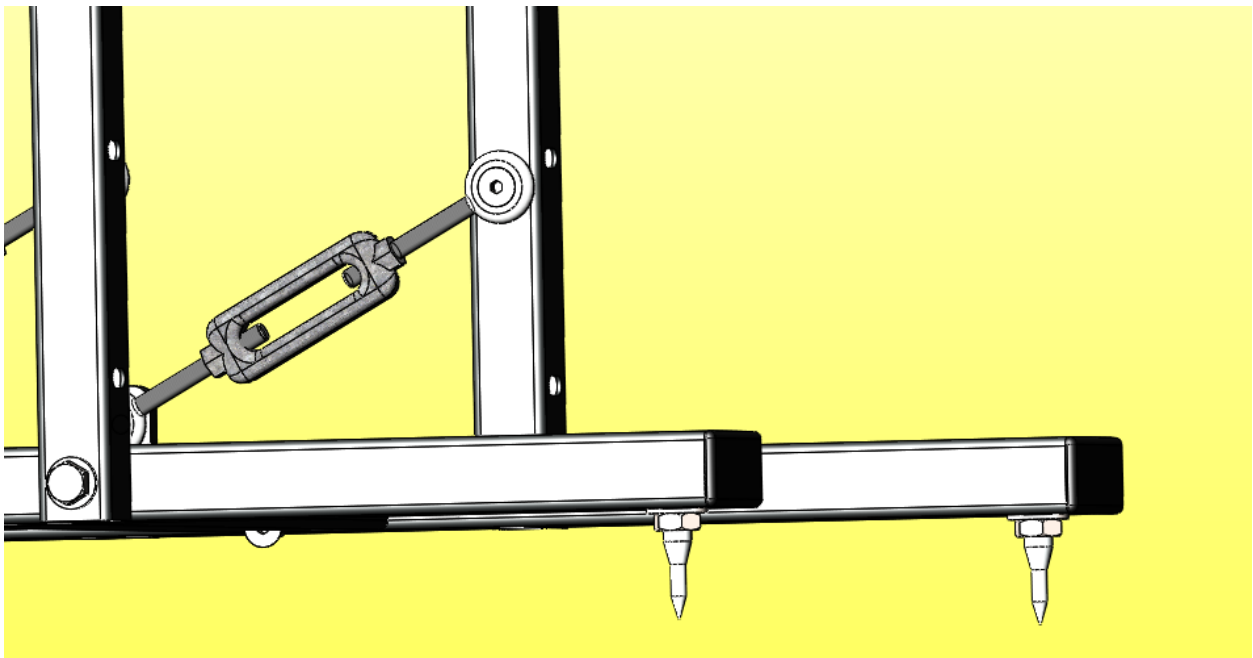
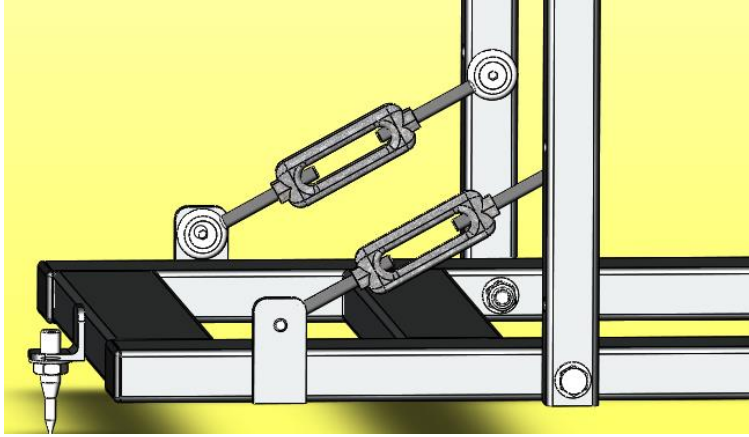


Figure 3



This is the completed assembly of the turnbuckles.

Figure 4

Putting It All Together

Sound Anchors Stands for Magnepan Loudspeakers are fastened to the speaker the same way that the original tee stands that were supplied with the speakers are fastened. In fact, we even use the same four screws.

1. Place a tablecloth, blanket, or towel on top of a table which has had all objects removed from its surface. This surface will be used to assemble your system.
2. Set your speaker panel face down on your prepared surface with at least 1" of the bottom edge of your panel extending beyond a table edge.
3. Fasten the stand to the speaker at the points shown in *figure 5*, using the screws that Magnepan supplied with your speakers. Tighten snugly but do not over tighten as over tightening may damage the threaded inserts or screws.

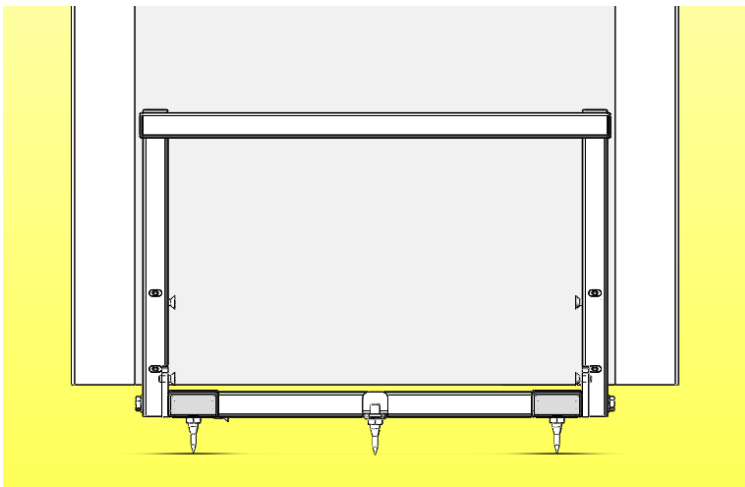


Figure 5

Set Up

1. Place your speakers (which have been fastened to you stands) where you will want them for listening.
2. Connect your cables according to your Magnepan manual.
3. Adjust the front two spikes so that your system is level side to side.
4. Adjust the turnbuckle so that your speakers are straight up vertically (you may want to use a level or plumb bob to check)
5. Sit in your listening position and listen to some familiar music.
6. After you are satisfied that you have adjusted to the sound enlist a friend to help adjust speaker angle.
7. From your listening chair direct your friend to change the angle of your speakers by turning the turnbuckle 2 turns at a time. We have achieved best results by tilting the panel forward 5 to 10 turns. As you tilt the speaker forward, the image specificity and focus usually improves until you get about 5 degrees forward tilt out of the system.
8. Make sure that both speakers have the same angle. You can do this by measuring the overall length of the turnbuckles. When all four are the same, the angles are the same. See *figure 6*.
9. Sit back and enjoy.

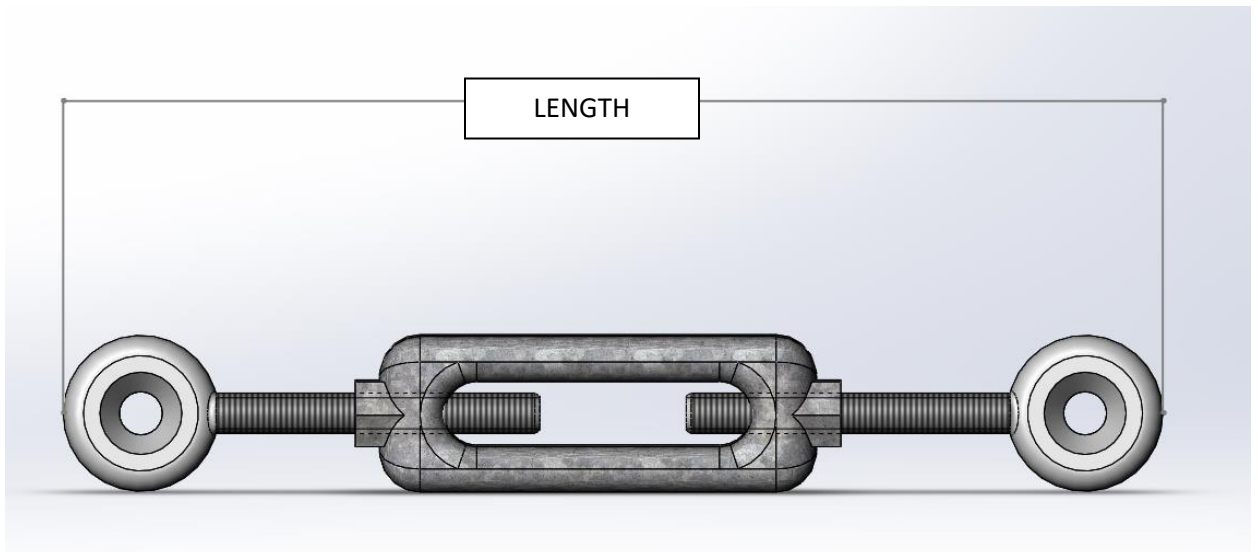


Figure 6