

Sound Anchors Motorized DAW

Instructions



Sound Anchors

2835 Kirby Cir NE Unit 110

Palm Bay, FL 32905

321-724-1237 Office@Soundanchors.com www.soundanchors.com

SOUND ANCHORS MOTORIZED ADMID SPEAKER STANDS

Thank you for choosing Sound Anchors stands for your studio. We believe that you will find them to be a valuable tool that will help you to hear subtle differences more easily and make better recordings. Please take the time to carefully read these instructions before assembling your stands, and you will be more than satisfied with their performance for many years to come.

HARDWARE LIST

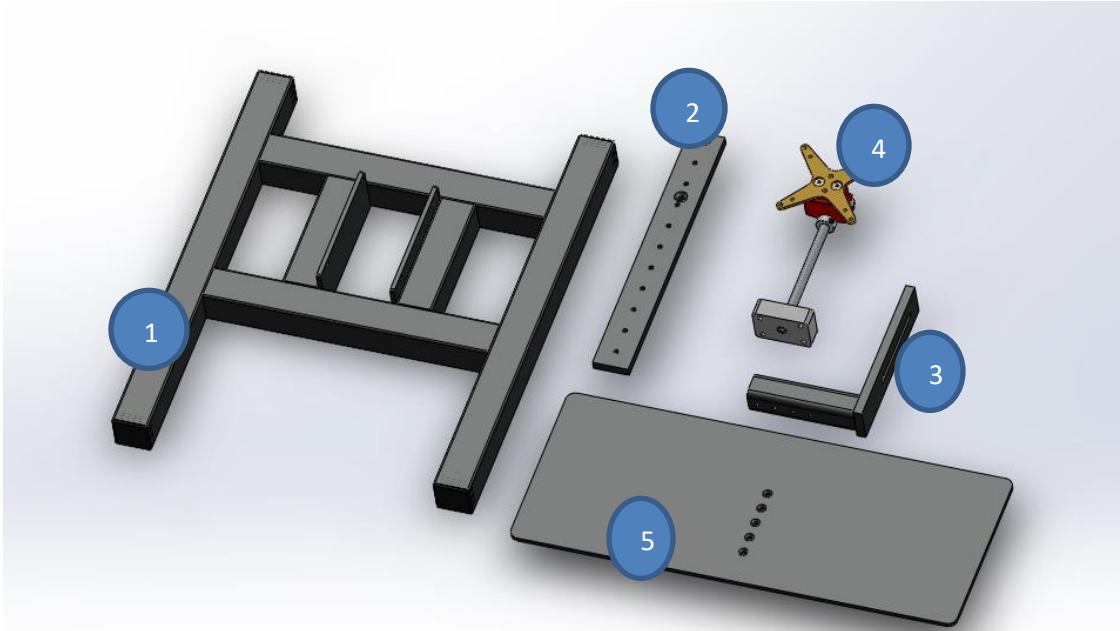


Hardware Inventory: 4ea 3/8-16 Spikes

1. 4ea M6-1 x 20 Button Head Screws
2. 2ea M8-1.25 x 20 Flat Head Screws (installed)
3. 2ea 5/16-18 x 1 Socket Head Screws
4. 2ea 5/16 flat washers
5. 2ea 1/4-20 x 5/8 Flat Head Screws
6. 4ea Twin Wheel Casters
7. 4ea M6-1 x 50 Socket Head Screws
8. 8ea M6 flat washers
9. All required Hex wrenches.

Sound Anchors Motorized DAW Parts List

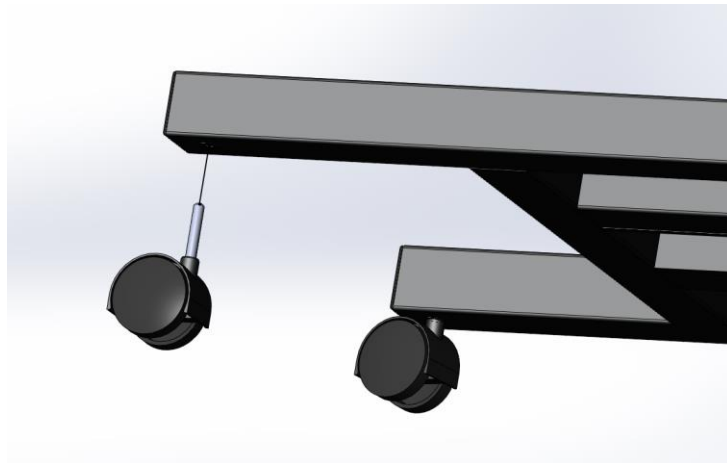
1. 1ea MOTO DAW Base
2. 1ea MOTO Height Adjuster Mounting Bar (attached to motor)
3. 1ea MOTO Height Adjuster
4. 1ea MOTO DAW Vesa Mount
5. 1ea Keyboard Platform (Standard Sizes are 10x25 or 12x28)



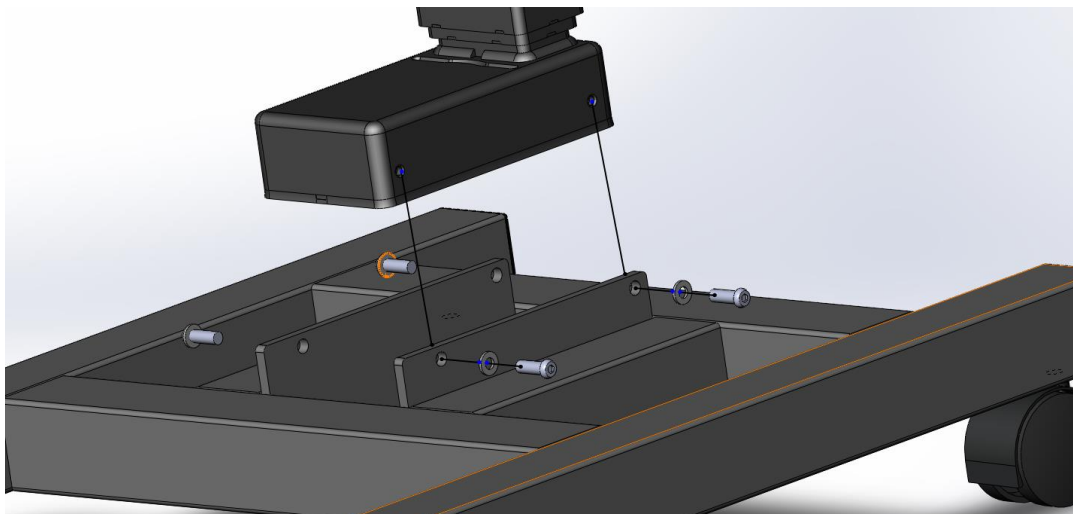
The parts shown are the Sound Anchors manufactured parts for the Motorized DAW stand. We will also provide electrical components from Linak as part of the assembly.

Assembly:

1: Assemble the casters by threading them into the holes at the bottom of the base. Make sure they are hand tight. When the stand is fully assembled, adjustments can be made to casters to level the stand. (May require 9/16 wrench)

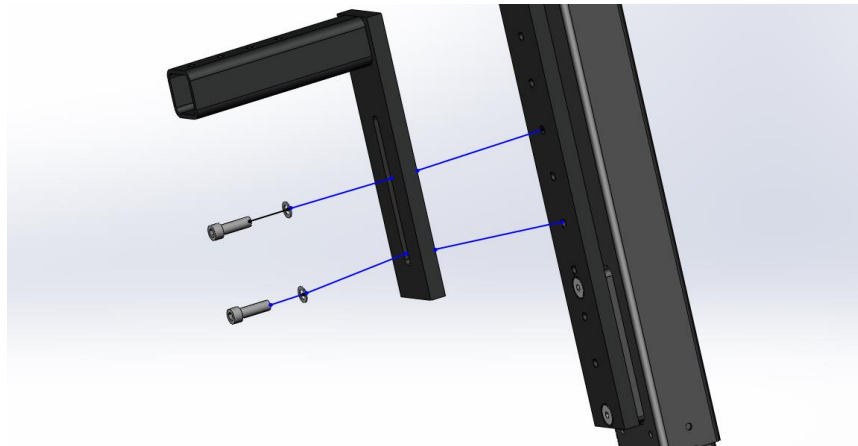


2: Fasten the Motor Lift Column to the base by using the M6-1 x 20 button head screws and 4 of the m6 flat washers. (Pay attention to the orientation of the holes to ensure the lift column is oriented the right way.)

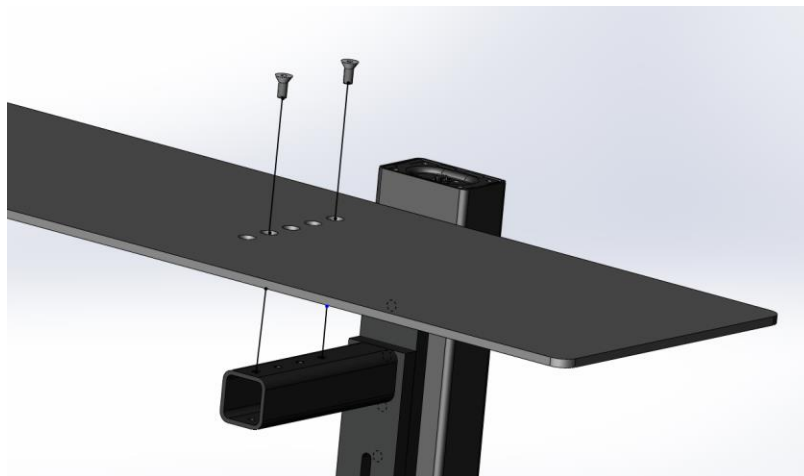


3: The Height Adjuster mounting bar should already be fastened to the Motor Lift Column. If not, fasten it using the two M8-1.25 x 20 Flathead Screws.

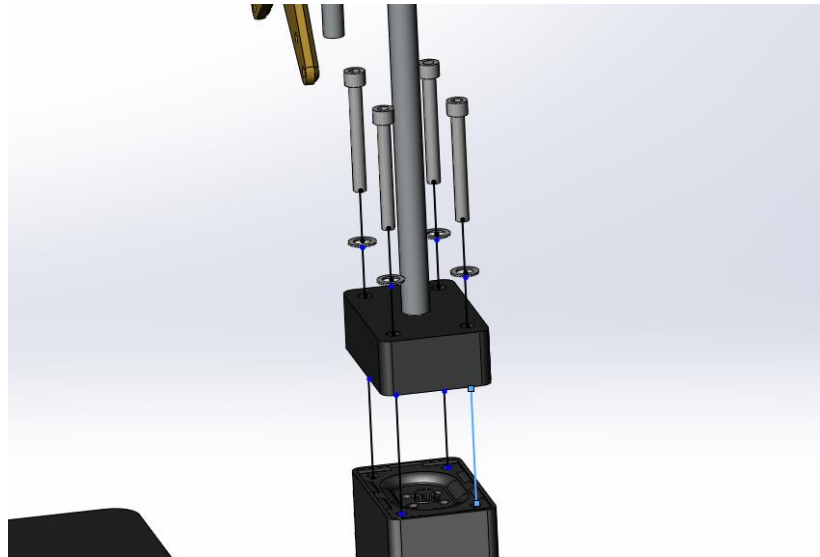
fasten the Height adjuster to the mounting bar using the two 5/16-18 x 1 socket head screws and 5/16 flat washers.



4: Fasten the keyboard platform to the Motor Adjuster Arm using two ¼-20 x 5/8 flat head screws.



5: Fasten the VESA mount assembly on to the top of the Motor Lift Column using four M6-1 x 50 socket cap screws.



6: Lastly, tighten down any bolts left loose for fitment. Leveling should be done at this point, if needed.

MOTO DAW Stand

The Motorized DAW stand is one of our newest designs. It takes the maneuverability of our tried-and-true DAW Cart and combines it with the adjustable ease and convenience of the Motorized stands. There is a bit more assembly required, but if you have a monitor and keyboard set up that needs to be moved out of the way in some applications or want the need to be able to adjust from a sitting to a standing height at the press of a button, this is the stand for you!

If you have any questions about the stands, or any feedback, please contact Sound Anchors at 321-724-1237. You can also email us at info@soundanchors.com. We thank you so much for your interest in our product and hope that your sound equipment can stand the test of time with Sound Anchors.