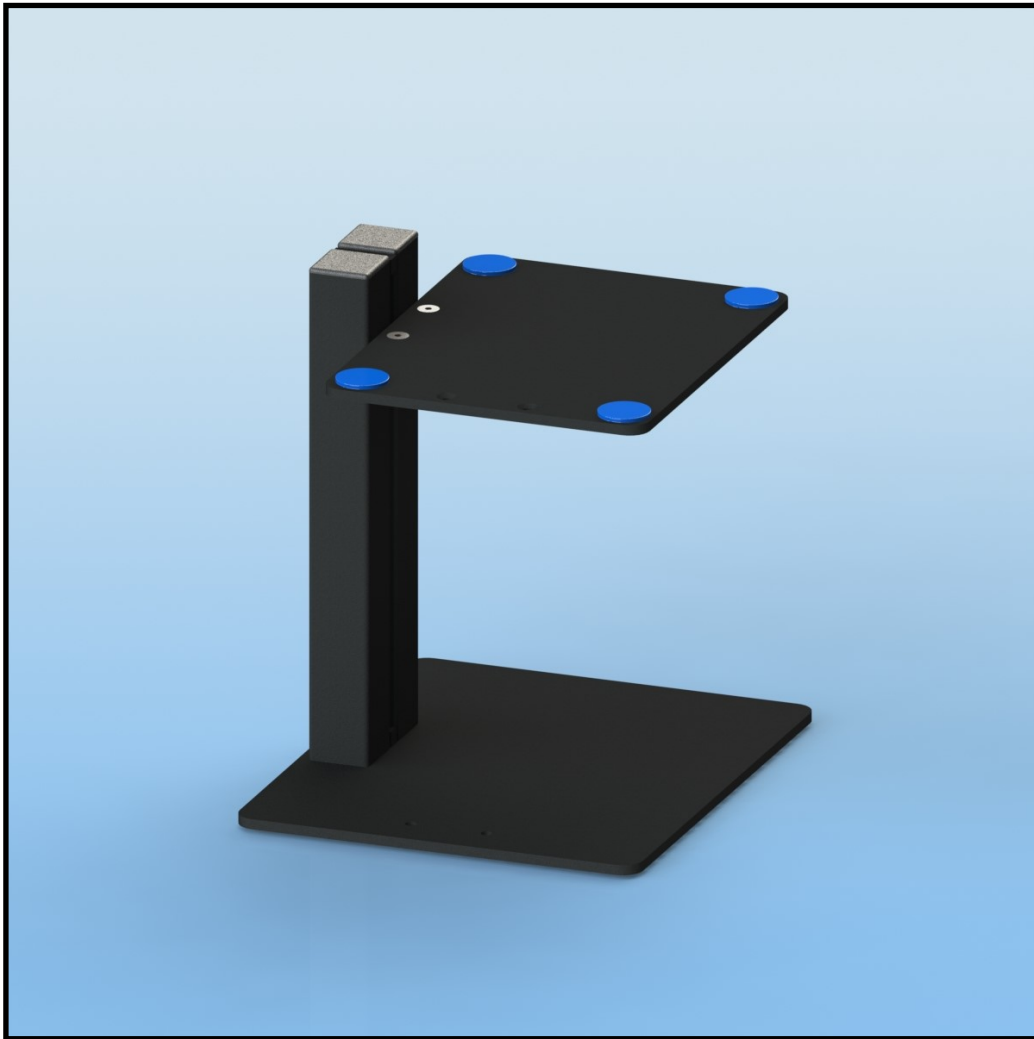


# Sound Anchors Freestanding Desktop Stands



## **Sound Anchors**

2835 Kirby Circle NE

Unit 110

Palm Bay, FL 32905

Phone: 321 724 1237 Email: [info@soundanchors.com](mailto:info@soundanchors.com)



Sound Anchors Free Standing Desktop Stands (FSTT) are designed for use in the true digital workstation environment, and they take up very little space. The FSTT Stands are ideal for use in both broadcast and post-production studios. The FSTT raises your speakers above the reflective items on your desktop which gives you a cleaner, more detailed and more accurate sound. They offer infinite tilt adjustment and 12, 18 or 24 inches of height adjustment. These Stands make it possible for you to position your loudspeakers safely and accurately. FSTT stands have special rubber pads for their interface with the desktop which protects the desktop surface while preventing slippage. The stands can be moved to any position on the desktop so that you can put your monitors in exactly the right location and change this location anytime you like. Please carefully read the installation instructions.

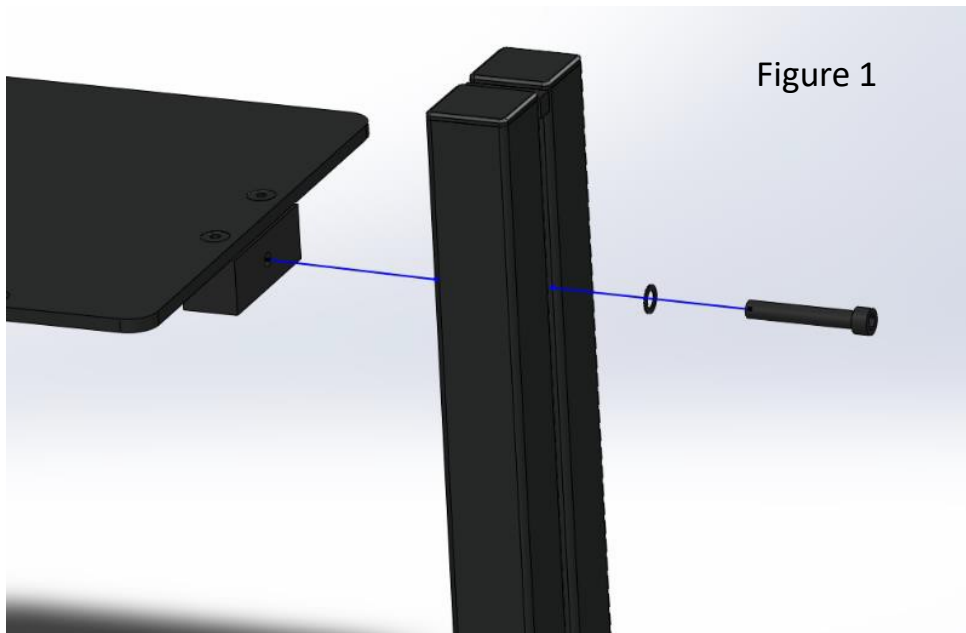


### Hardware List

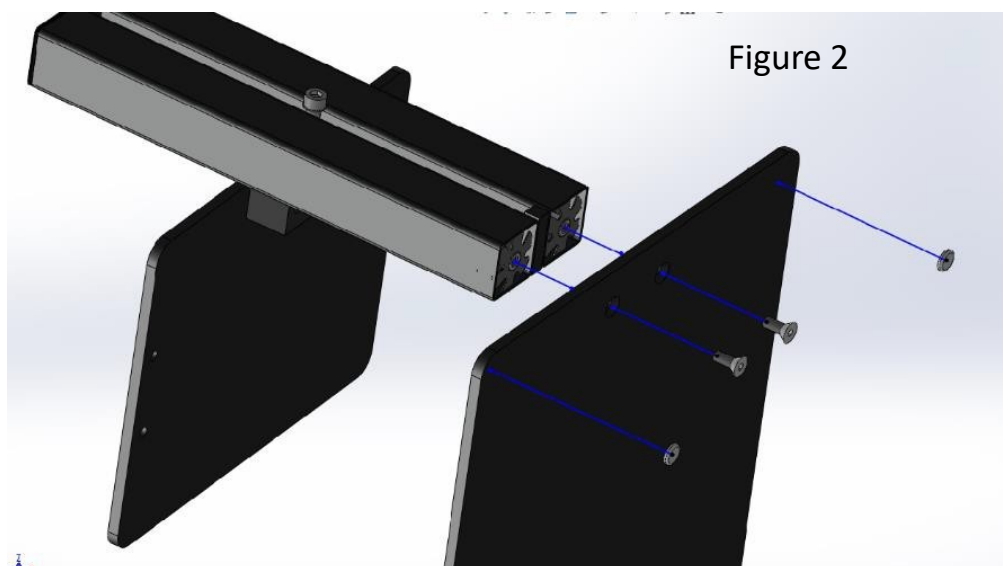
- 1) 8 ea. Bluedots
- 2) 4 ea. 1/4-20 x 5/8" Flat Head Screws (installed in block)
- 3) 4 ea. 1/4-20 x 1" Flat Head Screw
- 4) 2 ea. 5/16-18 x 2 1/2" Socket Head Screw
- 5) 2 ea. 5/16 hardened washer
- 6) 8 ea. Flat Bumpers
- 7) 1/4 Hex Wrench
- 8) 5/32 Hex Wrench

## Assembly:

- 1) Top: The speaker platform should have a mounting block attached to the bottom of it from the factory. Simply align the single mounting hole on the block in the space of the upright portion and fasten with the 5/16 x 2 1/2" Socket Head Screw and 5/16 hardened washer as shown in Figure 1. (Ensure the bottom of the upright is facing toward the bottom. FSTT has star nuts inserted into the tubing of the upright at the bottom.

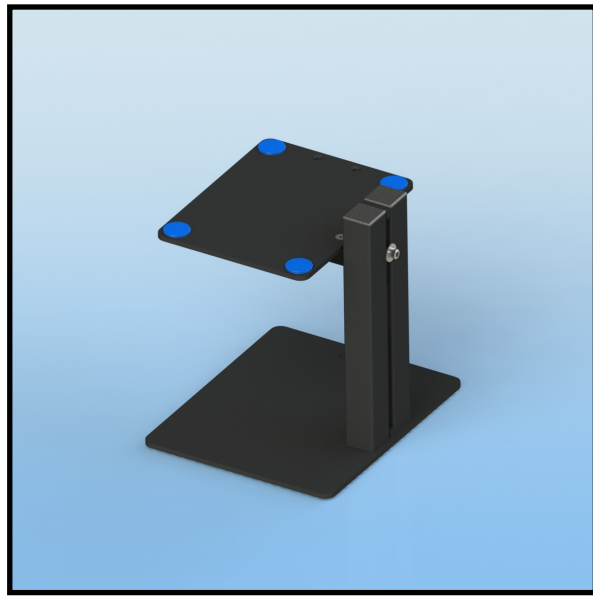
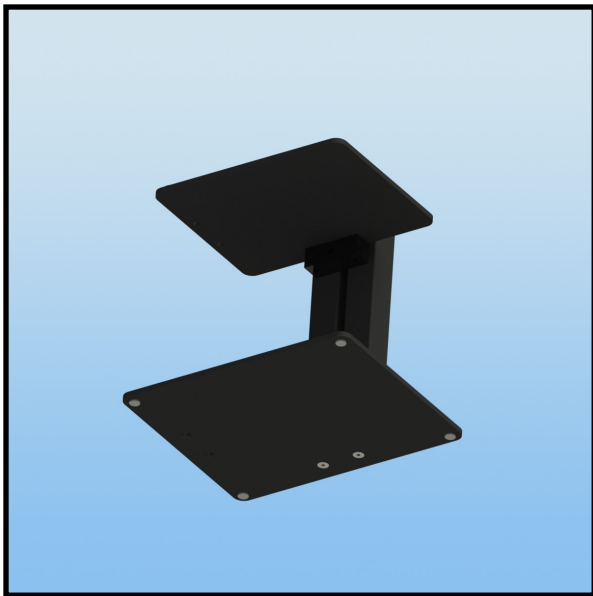


- 2) Bottom: line the base plate with the star nuts at the bottom end of the upright. Fasten with 1/4-20 x 1 Flat Head Screw. Apply the rubber bumpers to the bottom of the base plate in the 4 corners of the plate. As shown in figure 2.



- 3) Position the stands where they need to be on the table top or console, and add blue dots to the speaker platform in the 4 corners. Adjusting the height of the stand is as simple as loosening the bolt in the back and moving the speaker platform up or down. (be careful as the weight of the plate can cause it to drop if not supported while loosening adjustment bolt).
- 4) If you are going to be using your stands with the post behind the speaker you will want to set your height and then adjust it so that it is level, then you can final tighten the 5/16-18 screw.
- 5) If you are going to be using your stands with the post to the side of the speaker you will want to set your height and then adjust it to the desired angle of tilt either up or down then you can final tighten the 5/16-18 screw.

Once the proper position is found, place the speakers on the speaker plates, and enjoy your new stands!



Experience the power of precise positioning with adjustable height and tilt options, allowing you to find that sweet spot for the perfect soundstage. With Sound Anchors Freestanding Desktop Speaker Stands, achieving optimal speaker height and angle has never been easier. Elevate your speakers to ear level and immerse yourself in rich, balanced audio like never before. Thank you again for choosing Sound Anchors Freestanding Desktop speaker stands.