



## Controls/Handsets User manual

# Contents

<b>Preface</b> .....	3
<b>Important information</b> .....	4
<b>Safety instructions</b> .....	4
<b>Repairs</b> .....	6
<b>Declaration of Incorporation of partly completed machinery</b> .....	6
<b>Declaration of conformity</b> .....	7
<b>Misc. on the DESKLINE® system</b> .....	8
Warranty.....	8
Maintenance.....	8
Cleaning the desk panel.....	8
<b>ETL-marking</b> .....	9
<b>Overview of the DESKLINE Controls product range</b> .....	10
<b>Mounting guidelines for DPA/DPB</b> .....	11
<b>Mounting guidelines for DPH</b> .....	11
<b>Operation of the simple desk panels</b> .....	12
<b>Operation of the DP1C</b> .....	13
<b>Operation of the DP1CS</b> .....	15
<b>Hand control HB10 Wireless</b> .....	17
Pairing.....	17
<b>Remote control HB20IR</b> .....	18
Operation of the system .....	18
<b>Remote control HB10RF</b> .....	19
Activating the learning mode .....	19
<b>Operation of the DPF</b> .....	20
K-version .....	20
2K- and 3K-version .....	20
M-version .....	20
<b>Operation of the DPF1C “one reference”</b> .....	21
<b>Operation of the DPF1D</b> .....	22
<b>Operation of the DPF4T “multiple references”</b> .....	23
Other functions common for DPF1C and DPF4T .....	24
<b>Mounting of all DPF versions</b> .....	25
Drawings of the mounting brackets .....	26
<b>Operation of the DPT</b> .....	27
<b>Mounting of the DPT</b> .....	29
<b>Disposal of LINAK’s products</b> .....	30
<b>Disposal of batteries</b> .....	30
<b>Labels</b> .....	31
<b>Drawing appendix</b> .....	32
<b>Addresses</b> .....	39

# Preface

Dear User,

We are delighted that you have chosen a product from LINAK®.

LINAK systems are high-tech products based on many years of experience in the manufacture and development of actuators, electric control boxes, controls and chargers.

This User Manual does not address the end-user. It is intended as a source of information for the manufacturer of the equipment or system only, and it will tell you how to install, use and maintain your LINAK electronics. It is the responsibility of the manufacturer of the end-use product to provide a User Manual where relevant safety information from this manual is passed on to the end-user.

We are sure that your LINAK product will give you many years of problem-free operation.

Before our products leave the factory they undergo full function and quality testing. Should you nevertheless experience problems with your systems, you are always welcome to contact your local dealer.

LINAK subsidiaries and some distributors situated all over the world have authorised service centres, which are always ready to help you.

LINAK provides a limited warranty on its products. This warranty is, however, subject to correct use in accordance with the specifications, maintenance being done correctly, and any repairs being carried out at a service centre, which is authorised to repair LINAK products. Changes in installation and use of LINAK products/systems can affect their operation and durability. The products are not to be opened by unauthorised personnel. You can review the full terms of the LINAK warranty on the LINAK website [www.linak.com/warranty](http://www.linak.com/warranty).

The User Manual has been written based on our present technical knowledge. We are constantly working on updating the information and we therefore reserve the right to carry out technical modifications.

**LINAK A/S**

## Important information

Important information on LINAK® products can be found under the following headings:



### Warning!

Failure to comply with these instructions may result in accidents involving serious personal injury.



Failing to follow these instructions can result in the product being damaged or being destroyed.

---

## Safety instruction



### General

Safe use of the system is possible only when the operating instructions are read completely and the instructions contained are strictly observed.

Failure to comply with instructions marked with the "NOTE" symbol may result in serious damage to the system or one of its components.



It is important for everyone who is to connect, install, or use the systems to have the necessary information and access to this User Manual. Follow the instructions for mounting – risk of injury if these instructions are not followed.



The appliance is not intended for use by young children or infirm persons without supervision.



If there is visible damage on the product it must not be installed.



Note that during construction of applications, in which the actuator is to be fitted, there must be no possibility of personal injury, for example the squeezing of fingers or arms.



Assure free space for movement of application in both directions to avoid blockade.

### **Only for EU markets**



This appliance can be used by children aged from 8 years and above and persons with reduced physical, sensory or mental capabilities or lack of experience and knowledge if they have given supervision or instruction concerning use of the appliance in a safe way and understand the hazards involved.



Children shall not play with the appliance. Cleaning and user maintenance shall not be made by children without supervision.

### **Only for Non EU markets**



Persons who do not have the necessary experience or knowledge of the product/products must not use the product/products. Besides, persons with reduced physical, sensory or mental abilities must not use the product/products, unless they are under surveillance or they have been thoroughly instructed in the use of the apparatus by a person who is responsible for the safety of these persons.



Moreover, children must be under surveillance to ensure that they do not play with the product.

### **Misuse**



Do not overload the actuators – this can cause danger of personal injury and damage to the system.



Do not use the actuator system for lifting persons. Do not sit or stand on a table while operating – risk of personal injury.



Do not use the system in environments other than the intended indoor use

# Repairs

In order to avoid the risk of malfunction, all DESKLINE® repairs must only be carried out by authorised LINAK service centres or repairers, as special tools must be used and special gaskets must be fitted. Products under warranty must also be returned to authorised LINAK service centres.

Further information on DESKLINE warranty can be found on the LINAK website [www.linak.com/warranty](http://www.linak.com/warranty).



## Warning!

If any of the DESKLINE® products are opened, there will be a risk of subsequent malfunction.



## Warning!

The DESKLINE® systems are not resistant to cutting oil.

---

### DECLARATION OF INCORPORATION OF PARTLY COMPLETED MACHINERY

LINAK A/S  
Smedevænget 8  
DK - 6430 Nordborg

Name and address of the person authorized to compile the relevant technical documentation:  
John Kling, Group Headquarters, Guderup, DK-6430 Nordborg, email [jkli@linak.com](mailto:jkli@linak.com)

Herewith declares that LINAK Actuators and Actuator Systems comply with the following parts of the Machinery Directive 2006/42/EC, ANNEX I, *Essential health and safety requirements relating to the design and construction of machinery*:

1.5.1 Electricity supply: *Directive 2006/95/EC on the harmonization of the laws of Member States relating to electrical equipment designed for use within certain voltage limits.*

1.5.10 Radiation, 1.5.11 External radiation: *Directive 2004/108/EC on the approximation of the laws of the Member States relating to electromagnetic compatibility.*

The relevant technical documentation is compiled in accordance with part B of Annex VII and that this documentation or part hereof will be transmitted by post or electronically to a reasoned request by the national authorities.

**This partly completed machinery must not be put into service until the final machinery into which it is to be incorporated has been declared in conformity with the provisions of this Directive, where appropriate.**

Date: 2010-01-01

Signature:

John Kling  
Certification and Regulatory Affairs

# DECLARATION OF CONFORMITY

LINAK A/S  
Smedevænget 8  
DK - 6430 Nordborg

hereby declares that LINAK Actuator System composed of:

Control Box(s)                    CBD6Sa000b0A-c09,  
(Where -a: can be P, C or H, -b: can be 2, 3 or 4 and -c: can be 0 or 7)

And  
Linear Actuator(s)

31xxxH-xxxx50S,  
DBabbcddefghhhiii, (Where: - a: can be 4, 5, 6, 7, 12, 14, or 16; - b: can be 0, 1, 3 or 9; - c:  
can be 0, 1, B, L or S; - d: can be 0, 1 or 2; - e: can be 0, A, B or X; - f: can be 0, or A; - g:  
can be from 0, M, S or E; - hhh: can be from 000 to 675; - iii: can be from 000 to 630);  
LA23, LA31 series                    and / or

Lifting Column(s)                DLabbcddefghhhiii, (Where: - a: can be 1, 2, 4S from 4 to 12, from 14 to 19; - b: can be 0, 1,  
3, 7, A or B; - c: can be 0, 1, 2, 3, A, B, E, G or R; - d: can be 0, 1, C, L, R or X; - e: can be  
0, A, B, C, D or X; - f: can be 0, E, N, or P; - g: can be 0, 4, E, M or S; - hhh: can be from  
000 to 1100; - iii: can be from 000 to 916);  
BASE1 and DL12W series

And

Desk Panel(s)                    DP\*(C,K,L,U,V), WDPL1  
(The "\*" in the product description can either be 1, 2, 3, A, B, H, T; thereby defining the  
variation of the product);  
DPG1y0z-000jk6,  
(Where: -y: can be B, C, M or K, -z: can be 0, 1 or 2 -j: can be 0, 1 or 2, -k: can be 0 or 1)

complies with EMC Directive: 2014/30/EU according to following standards:  
EN 61000-6-1:2019, EN 61000-6-3:2007+A1:2011+AC:2012

complies with Low Voltage Directive 2014/35/EU according to the standard:  
EN 60335-1:2012+A11:2014

complies with RoHS2 Directive 2011/65/EU according to the standard:  
EN 50581:2012

Additional information:

The system does also comply with the standard: EN 13849-1:2015 SRP/CS Cat. B, PL = b and SRESW PL = b  
Note 1: Exempted CBD6S with SW03003007 printed on the label.

Nordborg, 2019-09-10

**LINAK A/S**  
John Kling, B.Sc.E.E.  
Regulatory Affairs Manager  
Authorized to compile the relevant technical documentation

## Misc. on the DESKLINE® system

### Warranty

This DESKLINE product is subject to warranty pursuant to the terms of LINAK DESKLINE Warranty Paper, available on the LINAK website [www.linak.com/warranty](http://www.linak.com/warranty).

### Maintenance

Clean dust and dirt from the outside of the system at appropriate intervals and inspect for damage and breaks. Inspect connections, cables, and plugs without disconnecting, and check functioning as well as fixing points.

### Cleaning the desk panel

Clean your desk panel with a soft damp cloth. Universal cleaning detergents may be used.



For disinfection of the desk panel, use a 70 percent isopropyl alcohol either as a wipe or add a small amount to a soft cloth.



The desk panel is not a sealed unit and there are electronics inside it.

If liquids or moisture enter an opening, the PCB may be damaged, and the desk panel ruined.

Thus:

- Avoid moisture penetrating any openings as this may damage the PCB inside the desk panel
- Avoid spraying the cleaning agent or disinfectant directly on the desk panel as moisture may penetrate openings damaging the PCB inside the desk panel



- Cleaning agents and disinfectants must not be highly alkaline or acidic (pH value must be 6 to 8), and they must not contain bleach or chlorine
- Do not use hand sanitizer gel as a cleaning agent



## ETL-marking

Due to space limitations, the complete ETL-marking demands are not represented on the marking plates.

The full ETL Recognized Component markings are shown here.



**C/N 120690**

Conforms to ANSI/AAMI Std. E560601-1  
Cert. to CSA Std. C22.2 No. 60601-1

ETL Recognized Component mark for  
Canada and United States



**C/N 4008671**

Conforms to UL962  
Cert. to CSA Std. C22.2 No. 68-09

ETL Recognized Component mark for  
Canada and United States



**C/N 4008003**

Conforms to ANSI/AAMI Std. E560601-1  
Cert. to CSA Std. C22.2 No. 60601-1

ETL Recognized Component mark for  
Canada and United States



**C/N 4008838**

Conforms to ANSI/AAMI Std. E560601-1  
Cert. to CSA Std. C22.2 No. 60601-1

ETL Recognized Component mark for  
Canada and United States



**C/N 4008004**

Conforms to ANSI/AAMI Std. E560601-1  
Cert. to CSA Std. C22.2 No. 60601-1

ETL Recognized Component mark for  
Canada and United States



**C/N 4009507**

Conforms to UL962  
Cert. to CSA Std. C22.2 No. 68-09

ETL Recognized Component mark for  
Canada and United States



**C/N 4008005**

Conforms to ANSI/AAMI Std. E560601-1  
Cert. to CSA Std. C22.2 No. 60601-1

ETL Recognized Component mark for  
Canada and United States



**C/N 9901916**

Conforms to ANSI/AAMI Std. E560601-1  
Cert. to CSA Std. C22.2 No. 60601-1

ETL Recognized Component mark for  
Canada and United States



**C/N 4008623**

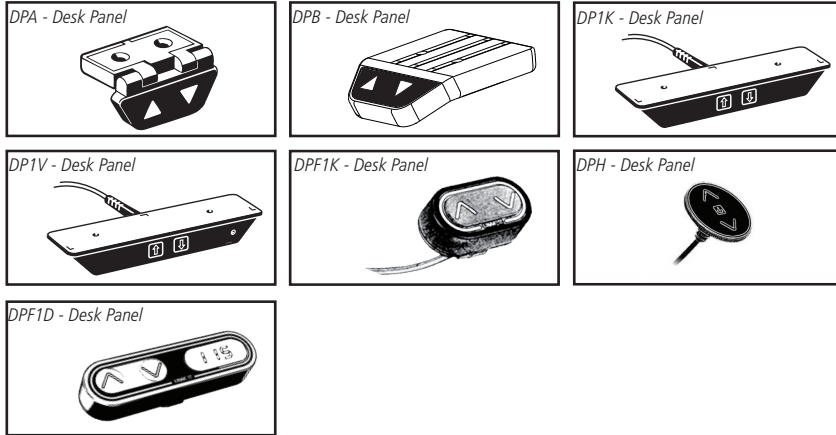
Conforms to ANSI/AAMI Std. E560601-1  
Cert. to CSA Std. C22.2 No. 60601-1

ETL Recognized Component mark for  
Canada and United States

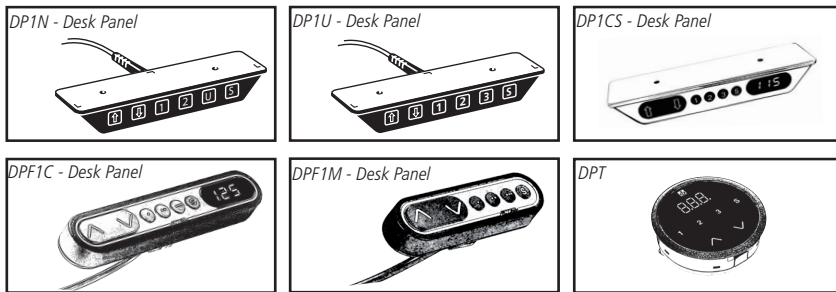
# Overview of the DESKLINE Controls product range

The desk panel is used to operate the DESKLINE system. The desk panel product range consists of number of desk panels with different functions:

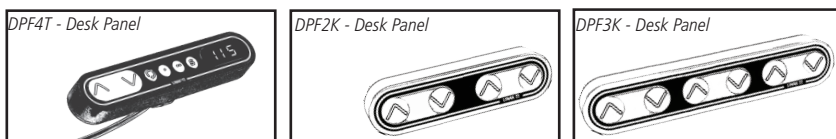
For single/parallel drive without memory: DPA, DPB, DP1K, DP1V, DPF1K, DPH and DPF1D



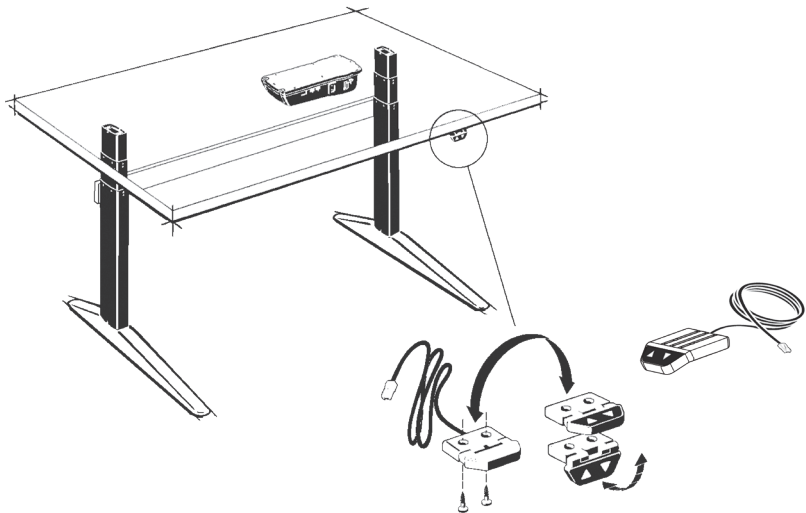
For single/parallel drive with memory: DP1N, DP1U, DP1CS, DPF1C, DPF1M and DPT



For drive of more references: DPF4T, DPF2K and DPF3K



## Mounting guidelines for DPA/DPB



The DPA/DPB can be mounted on the desktop so that the keys are either facing upwards or outwards. Alternatively the DPA can be mounted flat under the desktop with the keys facing downwards.

### Operation of the DPA/DPB in connection with DESKLINE® systems (not CBD2N)

The Desk Panel is used to operate the DESKLINE system. The two arrow buttons are used for parallel drive.

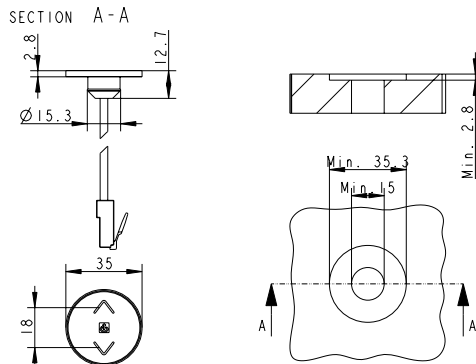
#### Drive (Δ ▽)

Press and hold one of the arrow buttons to drive the desk up or down. The desk drives up or down until you release the button or the desk reaches its end position.



The mounting screws on the DP, DPA, or DPB must be fastened with a max. torque of 1 Nm.





## Mounting guidelines for DPH



The hole in the tabletop must be in accordance with this drawing.

# Operation of the simple desk panels


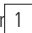
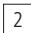
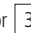
Here you find the guide on how to operate the DPA, DPB, DP1K, DP1N, DP1U, DP1V, DPH and DP1CS

-  Desk up
-  Desk down
-  Store memory
-  User memory
-  Memory 1
-  Memory 2
-  Memory 3

## Single/parallel drive


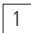
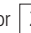
The arrow buttons start the DESKLINE lifting column.  
The function is only activated when holding down the button.

## Store memory



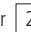
- Push 
- Within two sec. push either ,  or 

## Choice of user (only DP1N)

Two persons can store 2 memory positions each.  
Select user 1 or user 2.

- Push 
- Within two sec. push either  or 

## Store memory

- Push 
- Within two sec. push either  or 

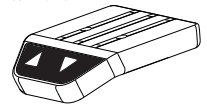
## Memory drive

Memory 1, 2, and 3 start a memory drive, the channel(s)  
drive to a preprogrammed position.

DPA - Desk Panel



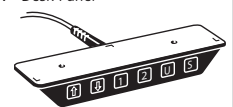
DPB - Desk Panel



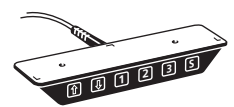
DP1K - Desk Panel



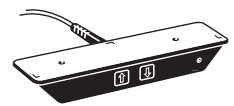
DP1N - Desk Panel



DP1U - Desk Panel



DP1V - Desk Panel



DPH - Desk Panel



DP1CS - Desk Panel




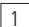
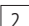
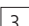


# Operation of the DP1C

The DP1C cannot be used on the CBD4 with mains cut-off.

## Description

The DP1C is equipped with display and memory and is compatible with CBD4 (Advanced, software 077402 ver. 1.66 or later). The DP1 is only available as a 1-channel version for operation of the parallel channels up and down. The actual height of the desk is shown in the display. The display is of the LED type with a yellow light and 10 mm high digits.

-  Desk up
-  Desk down
-  Store memory
-  Memory 1
-  Memory 2
-  Memory 3



## Normal operation:

To run the desk up or down, press the UP or DOWN button, and keep it pressed until the desk reaches the desired height. The display will count up or down while running, and after stop it will continually show the current height of the desk.

## Changing between cm and inches:

Keep the S button pressed for approx. 4 sec. and the reading will change from the current setting. The default setting depends on the type chosen.

## Store a memory position:

When pressing the "store" button, the display will flash "S" for 3 sec. Within the 3 sec. press memory button 1, 2 or 3. The display will acknowledge by showing S1, S2 or S3 for 1 sec. To abort a store sequence, press the UP or DOWN button while the "S" is flashing, or wait the 3 sec. until the display automatically returns to show the height of the desk.

## Drive to a stored position:

### Version with "GO-memory"

Press memory button 1, 2, or 3. The display will flash "GO1", "GO2" or "GO3" for 3 sec. Within the 3 sec. press the UP or DOWN button and keep it pressed until the desk stops in the stored position. Both the Up and the Down button will activate memory drive. Although e.g. the memory position is higher than the actual height, it will drive upwards when you press the Down button. While running to a memory position the display will show GO1, GO2 or GO3, and when it stops in the stored position, the height of the desk will be shown. Releasing the UP or DOWN button will abort the memory drive. The display will show the height of the desk.

### Version with "standard memory"

Press memory button 1, 2, or 3 and the system will start driving to the wanted memory position. Keep the button pressed until the position is reached. The display will show the actual height during the memory run.

## Adjust the display to show the correct height:

It may be necessary to adjust the display due to different thicknesses of desktops etc, when the DP is delivered from the factory. The DP will show 68 cm or 24.5 inches (default setting) height of the desk. At the same time press the "Store" button and step UP or DOWN, until the display shows the correct height.

## Adjusting the light intensity of the LED display

Possible light settings are: 0 = off, 25 = 25%, 50 = 50%, 75 = 75%, 100 = 100%.

### Adjustment procedure

Press the "1" button and at the same time either "desk up" or "desk down" this will adjust the light intensity. Initial press will show the current setting. Keep the "1" button pressed during the whole sequence while adjusting up or down. Keep a button pressed for more than 800 msec then the button will auto repeat every 100 msec. Releasing all buttons stores the new setting.

## Adjusting the light timeout

Possible light timeouts are: 0-15 sec and off

### Adjustment procedure

Press the "3" button and at the same time either "desk up" or "desk down" - this will adjust the light timeout. Initial press

will show the current setting. Keep the "3" button pressed during the whole sequence while adjusting up or down. Keep a button pressed for more than 800 msec, then the button will auto repeat every 100 msec. Releasing all buttons stores the new setting.

## Errors

Below please find the possible errors that can be displayed. The errors will only be displayed when a button is pressed. The display blinks while showing the error. E16 overrules any other error as the detection is registered only in the display and no message is sent to the control box.

## Diagnostic errors

The CBD4 (version 1.86 or later) can send up to 6 different diagnostic error codes at the same time.

The diagnostic error codes will overrule error states (except E16). Diagnostic errors will only appear as long as the button is pressed. The display will blink EXX and will toggle through the diagnostic errors and send them to the LINBUS in the CBD. For detailed error description and codes, please see the appropriate CBD software description.




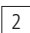
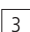
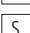
(Only working with DP1C from production date 1 february 2006 and onwards)

Error no.	Description
E01	The desk has an unknown position and needs to be initialised.
E02	Overload upwards has occurred.
E03	Overload downwards has occurred.
E16	Illegal keys pressed.

# Operation of the DP1CS

## Description

The DP1CS is equipped with display and memory and is compatible with DESKLINE control boxes. The DP1CS is available as a 1-channel version for operation of the parallel channels up and down. The actual height of the desk is shown in the display. The display is of the LED type with a yellow light and 10 mm high digits.

-  Parallel up
-  Parallel down
-  Memory 1
-  Memory 2
-  Memory 3
-  Store memory



## Up and down (ΛV):

You just either have to activate the up or down button for parallel drive and the system will drive until releasing the button again or when the system reaches end position.

## Memory:

The four small buttons are used for memory drive/storing memory.

### Store memory

- Press S – button, the display will flash "S" for 2 seconds
- Within these two seconds press one of the small buttons with numbers "1", "2" or "3" and the position will be stored at this button.
- The panel will acknowledge by showing "1", "2" or "3" in the display depending on the chosen position

### Memory drive

Press one of the memory buttons and the system will start driving to the pre-programmed memory position. Keep the button pressed until the position is reached.

### Display function

Shows the actual height in either cm or inch and can display error codes.

## Other functions:

### Adjusting initial height:

It may be necessary to adjust the displayed height due to different thicknesses of desktops etc. The DP1CS will as standard show either 68cm or 24.5 inch as the default desk height.

#### Procedure:

Press  $\wedge$  and  $\vee$  keys at the same time and keep them pressed for 5 seconds. This allows the initial height to be adjusted. Until the initial height can be adjusted, the display will show three minuses (---) - hereafter the display will revert to showing the height. The height can then be adjusted by either  $\wedge$  or  $\vee$  until the desired height has been reached. The system will return to normal operation (and give a short blink) after 5 seconds of inactivity on the keys.

The feature can be disabled via configuration in which case pressing the  $\wedge$  and  $\vee$  keys at the same time will be considered an illegal keypress.

### Switch between cm and inch:

Switching between cm and inch can only be done via the DPF configurator

### Adjusting the light intensity of the LED display:

Possible settings are Off, 6%, 12%, 19%, 25%, 37%, 50%, 75% and 100%.

The adjustment can only be done via the DPF configurator.

### Adjusting the light timeout:

Possible settings are 0-15 seconds and Off.

The adjustment can only be done via the DPF configurator.

## Error codes

Below please find the possible error codes that can be displayed. The error codes will only be displayed when a button is pressed. The display will blink while showing the error code. The E16 error will overrule any other errors as the detection is registered only in the display and no message is send to the control box.

Error no.	Description
E01	The desk has an unknown position and needs to be initialised.
E02	Overload in upward direction has occurred.
E03	Overload in downward direction has occurred
E16	Illegal keys are pressed.



## Hand control HB10 Wireless

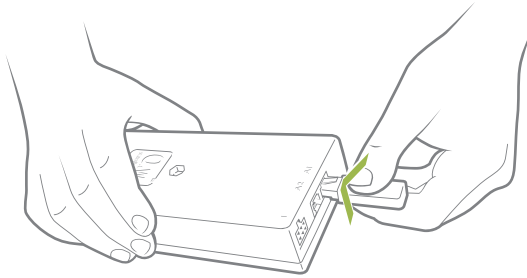
The Hand Control HB10 Wireless is designed for control of a wide range of adjustable furniture applications. The wireless system is perfect for flat screen applications where cables are undesired. The HB10 Wireless works with the BLE2LIN adapter as well as all DESKLINE® systems and control boxes, and it combines ergonomic design and functionality into a userfriendly hand control with big intuitive buttons and without any annoying cable.



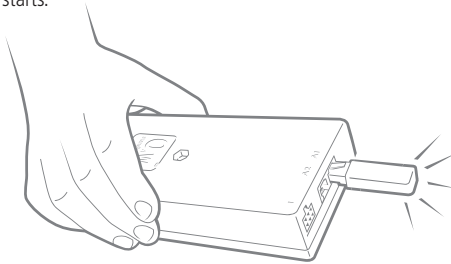
### Pairing

#### Pairing your control

1. Plug the Bluetooth® Adapter into a powered control box.



2. The BLE2LIN is in pairing mode for three minutes and flashes to indicate this. It can take up to ten seconds before the pairing mode starts.



3. Press the two top buttons on the hand control at the same time.



The BLE2LIN gives one long flash to indicate that the hand control and the BLE2LIN are paired up.

## Remote control HB20IR

### Operation of the system:

The HB21 IR transmitter is a simple up/down control with a button for the up activation and a button for the down activation of 1 reference on the CBD.

The HB22 is a two-channel controller, for controlling two references on the CBD.

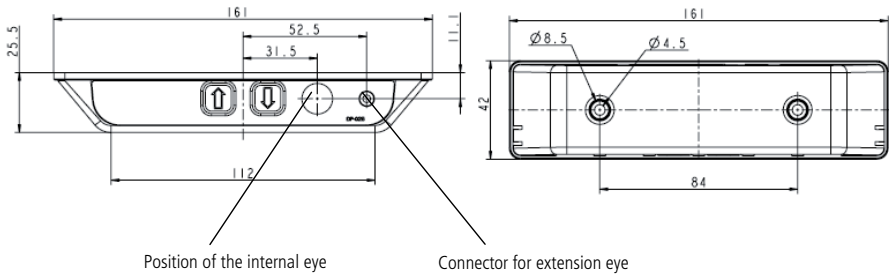


For activation of the control box point with the HB20 at the DP1V or the extension eye: Press the button up or down.

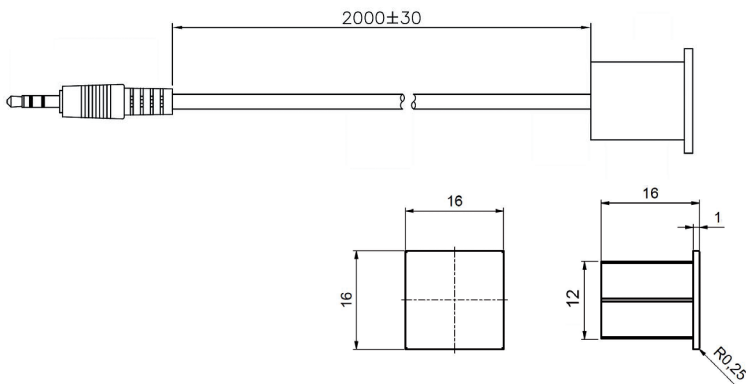
The operation range for the HB20 is approx. 6 m.

### Drawings:

#### DP1V



#### IR extension eye article number 0964571



The IR extension eye is for mounting in a 12 mm hole. The eye has a 2000 mm cable with a mini Jack plug, which is to be plugged into the DP1V.

## Remote control HB10RF

The HB10RF and RFR system is a perfect choice for a wide range of adjustable furniture applications. The wireless system based on radio frequency technology (RF) is perfect for flat screen applications where cables are undesired and an infrared eye is an unwise solution.

### Activating the learning mode:

Activate the reset key on the RFR by using a pen or similar to keep the button pressed.



- Keeping the reset key activated; the RF handset must be activated by pressing a random key on the RF handset. The RF handset IDs are stored in the memory and at the same time, previous RF handset IDs are erased.
- After having activated the RF handset keys the reset key must be released.
- If no RF handset keys are activated during the matching procedure; no changes are made in the ID memory.
- Please be aware that other equipments (as e.g. doorbells), which use the 433 MHz can disturb the RF signal.

Every RF handset has its own 32 bit unique address and the RF protocol contains a check sum which ensures that only the handset that has been activated during the learning process can activate the system. No noise signal from other RF equipment can activate the system, but might prevent it from running depending on the signal strength of the noise signal.

The operation range for the HB10 is approx. 6 m, but depending on the surroundings where it is mounted it can be less. E.g. if the receiver is mounted in a cabinet along with other equipment.



To avoid signals getting disturbed, do not use more than two RFRL boxes in one room.

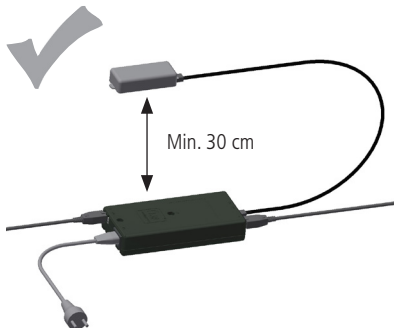


The RF uses the frequency 433 MHz

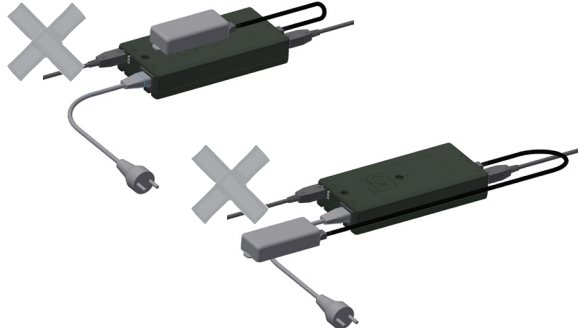
### How to place the RFRL box

The RFRL box must be mounted minimum 30 cm from the CBD and conductive mains cables.

Correct placement



Wrong placements



# Operation of the DPF

## K-version:

Just activate either the up or down button for parallel drive and the system will drive until the button is released again or the system reaches end position.

## 2K-version:

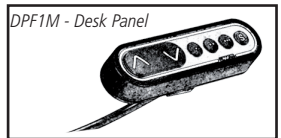
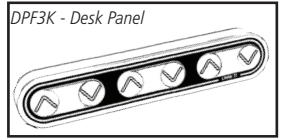
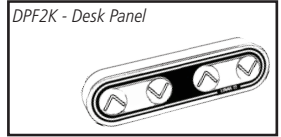
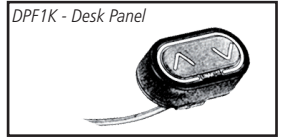
Just activate either the up or down button and the system will drive until the button is released again or the system reaches end position. Each set of up/down buttons refers to a reference. You can only drive one reference at a time. The desk panel can have up to 2 references.

## 3K-version:

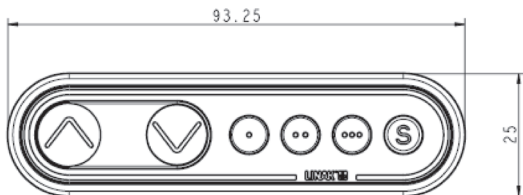
Just activate either the up or down button and the system will drive until the button is released again or the system reaches end position. Each set of up/down buttons refers to a reference. You can only drive one reference at a time. The desk panel can have up to 3 references.

## M-version:

The DPF is divided into parallel and memory drive. The two arrow buttons are used for parallel drive and the last four buttons for memory drive/storing memory.



- ∧ = Parallel up
- ∨ = Parallel down
- S = Store memory
- = Memory 1
- = Memory 2
- = Memory 3



## Parallel drive (∧∨)

The arrow buttons start parallel drive. The function is only activated when holding the button down.

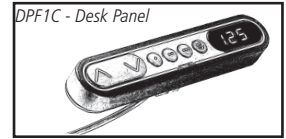
## Store memory

- Press S – button
- Within two seconds press one of the small buttons with dots and the position will be stored at this button.

## Memory drive (small buttons with dots)

Press one of the memory buttons and the system will start driving to the pre-programed memory position. Keep the button pressed until the position is reached.

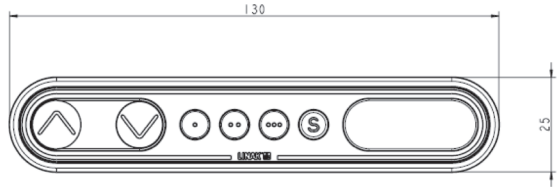
# Operation of the DPF1C "one reference"



- Λ = Parallel up
- V = Parallel down

S = Store memory

- = Memory 1
- = Memory 2
- = Memory 3



## Up and down (ΛV):

Just activate either the up or down button for parallel drive and the system will drive until the button is released again or the system reaches end position.

## Memory:

The four small buttons are used for memory drive/storing memory.

### Store memory

- Press S – button, the display will flash for 2 seconds
- Within these two seconds press one of the small buttons with dots and the position will be stored at this button.
- The panel will acknowledge by showing "1", "2" or "3" in the display depending on chosen position

### Memory drive (small buttons with dots)

Press one of the memory buttons and the system will start driving to the pre-programmed memory position. Keep the button pressed until the position is reached.

### Display function

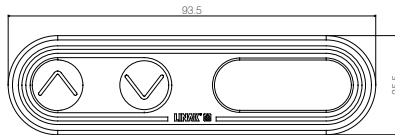
Shows the actual height in either cm or inch.

## Operation of the DPF1D (Display and up/down drive)

DPF1D - Desk Panel



- ∧ = Parallel up
- ∨ = Parallel down



### Function:

Compared to a standard DPF1C the DPF1D has no memory positions. The panel is a simple one that will show the height when adjusting and error codes when needed.

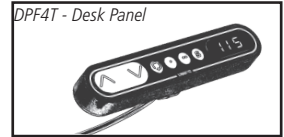
### Up and down (∧∨):

You just either have to activate the up or down button for parallel drive and the system will drive until releasing the button again or when the system reaches end position.

### Display function:

Shows the actual height in either cm or inch and can display error codes

# Operation of the DPF4T "multiple references"



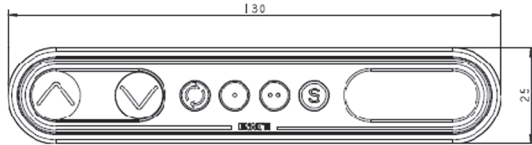
- Λ = Parallel up
- V = Parallel down

S = Store memory

⊙ = Toggle button

●● = Memory 1

●● = Memory 2



## Function:

Compared to a standard DPF1C the first memory button on the DPF4T is replaced by a toggle button, i.e. that the panel has 2 memory buttons instead of 3 (memory 1 and memory 2). Besides the toggle button the DPF4T works like the DPF1C.

## Up and down (ΛV):

You just either have to activate the up or down button for parallel drive and the system will drive until releasing the button again or when the system reaches end position.

## Memory:

The four small buttons are used for toggle function, memory drive and storing memory.

## Store memory

- Press S – button, the display will flash for 2 seconds
- Within these two seconds press one of the small buttons with dots and the position will be stored at this button 1A.
- The panel will acknowledge by showing "1" or "2" in the display depending on the chosen position


## Memory drive (small buttons with dots)

Press one of the memory buttons and the system will start driving to the pre-programmed memory position. Keep the button pressed until the position is reached.

## Display function

Shows the actual height in either cm or inch.

**Toggle function (Operation):**

Press the "Toggle" button  to toggle through all reference choices and make a selection to which reference you would like to use. For example, the display may show 123 – press one more time and 234 is shown\*. Since 3 is the bolded number, you have now selected reference 3 and the up down buttons are running reference 3 up-down.

When activating the up down button it first displays the reference number shortly for ½ sec then the actual height.

Reference setup is set in the CBD4 using the configuration software.

The DPF will automatically find out how the system is configured; One, two, three or four references.

\* If only two references exist 121 // 212 is shown in the display.

**Important notes:**

All actuator ports must be used.

If you create a 2 reference system (2 parallel + singles) and only use three ports on a 4-channel control box, the desk panel will show "123". You will be able to select reference three even through it is not connected.

The multi controller must not be used in combination with CBD4 software with the impulse drive feature. There is a risk that the used software initiate impulse movement, toggle to the next reference and therefore cannot stop the movement until it is back at the reference with impulse.

**Memory positions:**

1A The memory position will be for all references. When using memory one or two, reference one will first drive to its memory position followed by reference two and so on.

**Other functions common for DPF1C and DPF4T****Adjusting initial height**

It may be necessary to adjust the displayed height due to different thicknesses of desktops etc. The DPF1C will as standard either show 68 cm or 24.5 inch as the default desk height.

**Procedure:**

Press  $\wedge$  and  $\vee$  keys at the same time and keep them pressed for 5 seconds. This allows the initial height to be adjusted. Until the initial height can be adjusted, the display will show three minuses (---) hereafter the display will revert to showing the height. The height can then be adjusted by either  $\wedge$  or  $\vee$  until til desired height has been reached. The system will return to normal operation (and give a short blink) after 5 seconds of inactivity on the keys.

The feature can be disabled via configuration in which case pressing the  $\wedge$  and  $\vee$  keys at the same time will be considered an illegal keypress.

**Switch between cm and inch.**

Switching between cm and inch can only be done via the DPF1C configurator.

**Adjusting the light intensity of the LED display**

Possible settings are Off, 6%, 12%, 19%, 25%, 37%, 50%, 75% and 100%. The adjustment can only be done via the DPF1C configurator.

**Adjusting the light timeout**

Possible settings are 0-15 seconds and Off.

The adjustment can only be done via the DPF1C configurator.



## Error codes

Below please find the possible error codes, which can be displayed. The error codes will only be displayed when a button is pressed. The display will blink while showing the error code. The E16 error will overrule any other errors as the detection is registered only in the display and no message is send to the control box.

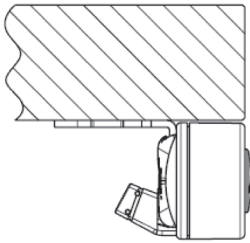
Error code	Description
E01	The desk has a unknown position and needs to be initialised.
E02	Overload in upwards direction has occurred.
E03	Overload in downwards direction has occurred.
E16	Illegal keys are pressed

## Mounting of all DPF versions

The DPF must be mounted via a mounting bracket. The mounting bracket comes in 4 different versions depending on how the panel should be mounted. Below are some examples on ways to mount:

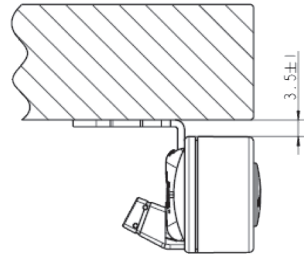
### Example 1: (Article number 914759)

The panel is mounted with a 90° bracket and placed close to the tabletop



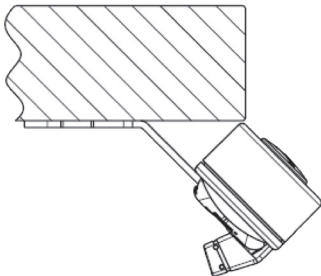
### Example 2: (Article number: 914757)

The panel is mounted with a 90° bracket and place with a distance to the tabletop



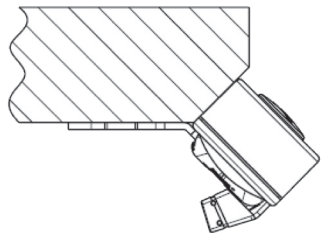
### Example 3: (Article number 914760)

The panel is mounted with a 45° bracket and placed at the edge of the tabletop



### Example 4: (Article number 914785)

The panel is mounted with a 45° bracket and placed on a tabletop with angled front

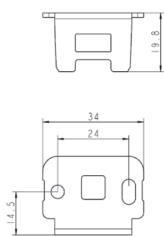


### To mount the panel:

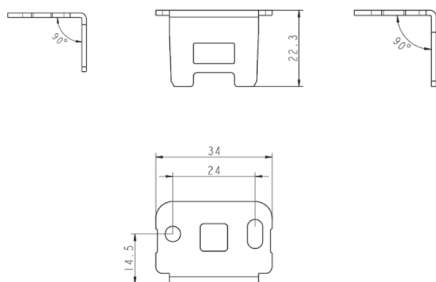
Just click the panel into the bracket and it is fixed.

## Drawings of the mounting brackets:

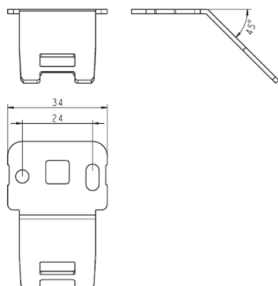
Article number 914759



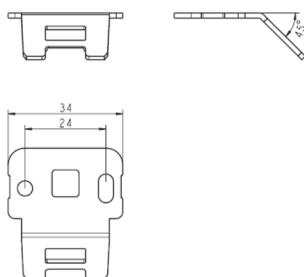
Article number 914757



Article number 914760



Article number 914785





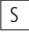
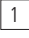
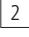

## Operation of the DPT



For safety reasons the DPT has a locking function.

If the DPT is locked, only a bar is lightning in the display. To unlock the control press "S" for 1 sec. When the DPT is unlocked, the height will be shown in the display. Now the DPT is active for 2.5 seconds. When pressing one of the keys you can do your adjustment. Hereafter the DPT will be active for 5 seconds but when there are no activations made within the mentioned time slot, the DPT will go in to locking mode again. Also, if you press "S" for unlocking too long, the DPT will unlock but immediately lock again.

The Touch Desk Panel is used to operate the DESKLINE® systems. The DPT is divided into parallel and memory drive. The two arrow buttons are used for parallel drive and the last four buttons for memory drive.

-  Desk up
-  Desk down
-  Store memory
-  Memory 1
-  Memory 2
-  Memory 3



### Normal operation:

To run the desk up or down, press the  $\wedge$  or  $\vee$  button, and keep it pressed until the desk reaches the desired height. The display will count the height as the table is moving and will continually show the height of the desk after stopping.

### Storing a memory position:

Touch the "S" button and the display will flash "S" for 3 sec. While the "S" is displayed, touch the memory button 1, 2 or 3. The display will acknowledge by showing S1, S2 or S3 for 1 sec.

To abort a store sequence press the  $\wedge$  or  $\vee$  button while the "S" is flashing, or wait the 3 seconds until the display automatically returns to show the height of the desk.

### Drive to a stored position:

Press memory button 1, 2 or 3 and the system will start driving to the desired memory position. Keep the button activated until the position is reached. The display will count the height as it is driving to the memory position.

### Customising the DPT digital display

#### Adjust the display to show the correct height:

The DPT will show 68 cm or 24.5 inches as the height of the desk as the default setting. It may be necessary to adjust the displayed height due to different thicknesses of desktops etc. when the DPT is delivered from the factory. To adjust the display touch the "S" button and the  $\wedge$  or  $\vee$  button at the same time until the display shows the actual height of the desk.

#### Changing between cm and inches:

Keep the S button pressed for approx. 5 sec. and the reading will change from the current setting.

The default setting depends on the type chosen. Switching between cm and inch can also be done via the DPF1C configurator.

## Error Codes

The DPT has capability of displaying error codes for diagnostic feedback. Below are possible feedback errors, which can be displayed by the DPT. The error codes will only be displayed when a button is touched in unlocked mode. The display will blink while showing the error. E16 overrules any other error since the detection is registered only in the display and no message is sent to the control box. For detailed error description and codes, please see the appropriate CBD software description.

<b>Error no.</b>	<b>Description</b>
E01	The desk has an unknown position and needs to be initialised.
E02	Overload in upwards direction has occurred.
E03	Overload in downwards direction has occurred.
E16	Illegal keys are pressed.

## Mounting of the DPT:

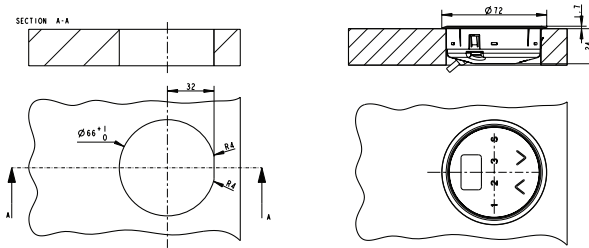
The hole in the tabletop has to be made according to the drawing. The DPT is mounted in the hole and the two screws on the backside are fastened with a maximum torque of 40 Ncm. If you do not have a torque screw driver, please tighten gently and not more until you can feel a slight resistance. Do not use electrical tool!

### Please note:

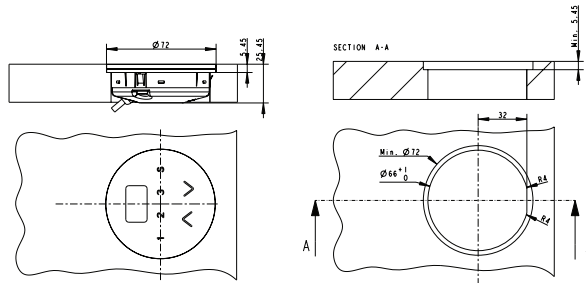


1. Mounting the DPT into the tabletop should be done at the end-user, so the product will not be exposed to any stress, which can destroy the product when transported.
2. For countersink versions the technician must ensure that the acrylic plate is not put under pressure, which will push the acrylic plate out of place.
3. The screws which are delivered with the product must be used. If they have gone lost there should not be chosen new screws which are longer than 12 mm, otherwise top and bottom will disconnect.
4. If the product has visible damages it should not be mounted.
5. The product is IP30; the customers can be sure that fluids / dust will not enter the product.  
The front itself is closed by the acrylic plate's adhesive foil.
6. Cable release is specified for max. 5 kg
7. Remember to remove the protection foil.

Frame:



Countersink:



## Disposal of LINAK products

As LINAK customers often ask us how our products can be disposed of or scrapped we have prepared this guidance that enables a classification to different waste fractions for recycling or combustion.

### Guidance

We recommend that our products to be disassembled as much as possible and divided into different waste groups for recycling or combustion.

For example, waste can be sorted into metals, plastics, cable scrap, combustible material and recoverable resources.

Some of these main groups can be further divided into subgroups; e.g. metal can be divided into steel/aluminium/copper and plastic can be divided into ABS/PA/PE/PP.

As an example, the table below breaks down the different components in LINAK products to various recycling groups:

Product	Components	Recycling group
Handset/Control:	Plastic housing Cable PCB board	Plastic recycling or combustion Cable scrap or combustion Electronics scrap

By now, almost all our cast plastic parts are supplied with an interior code for plastic type and fibre contents, if any.

## Main groups of disposal

Product main groups	Metal Scrap	Cable scrap	Electronics scrap	Plastic recycling or combustion	Comments
DPXX		X	X	X	

## Disposal of batteries

Details regarding safe disposal of used and leaking batteries:

Batteries should be disposed in accordance with appropriate federal, state and local regulations. LINAK recommends that used or leaking batteries are disposed through local recycling system. Please do not throw used or leaking batteries in normal household waste or in nature. This will cause damage to the environment.

### How to deal with leaking batteries

Leaking batteries should be disposed as described above.

If leaking batteries are discovered in the product, the batteries must be removed at once to minimise damage to the product.

If leaking batteries are left in the product, it become defective.

It is recommended to use plastic gloves when handling leaking batteries. The contents of a leaking batteries can cause chemical burns and respiratory irritation.

If exposed to the contents of a leaking battery, please wash with soap and water. If irritation persists, please seek medical attention. In case of eye contact, please flush eyes thoroughly with water for 15 minutes and seek medical attention.

# Labels

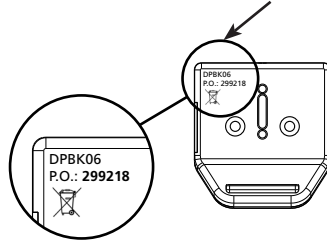
Label DPA

The label is printed directly on the DPA



Label for DPB

The label is printed directly on the DPB



Label for DP



Label for DPH



Label for DP1CS



Label for DPT



Label for DPF



Label for DPF1C



Label for DPF1D



Label for DPF1K



Label for DPF2K



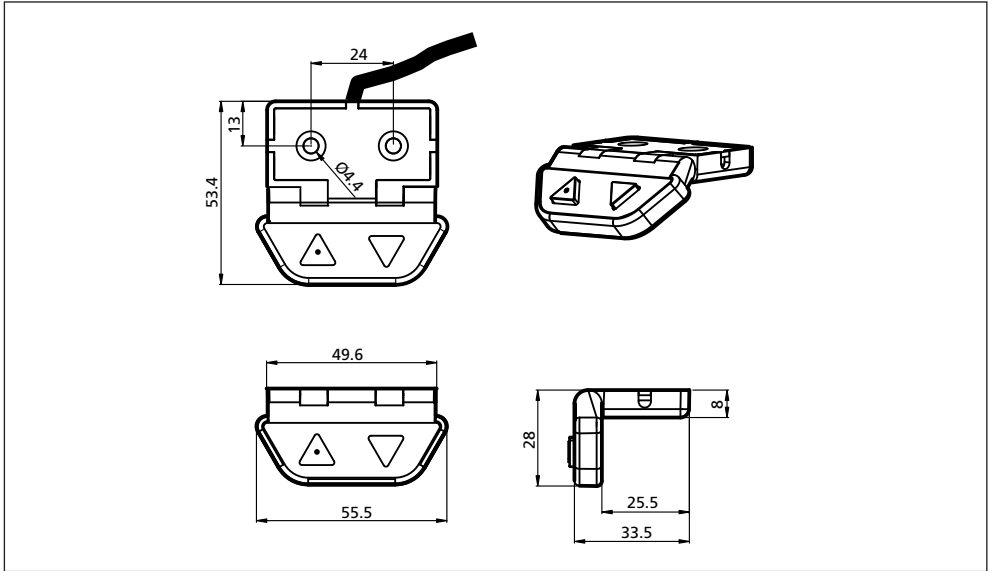
Label for DPF3K



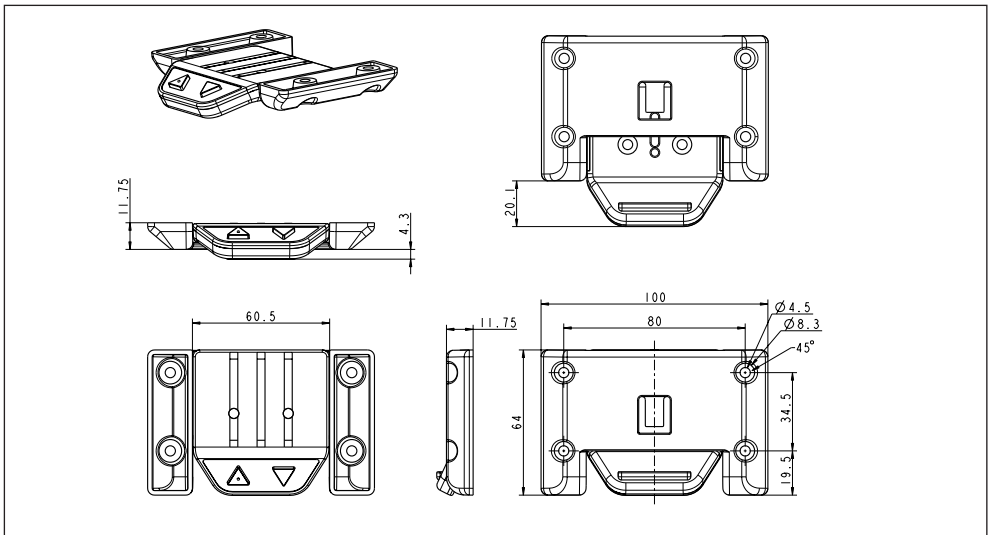
# DRAWING APPENDIX

## DESKLINE®

DPA

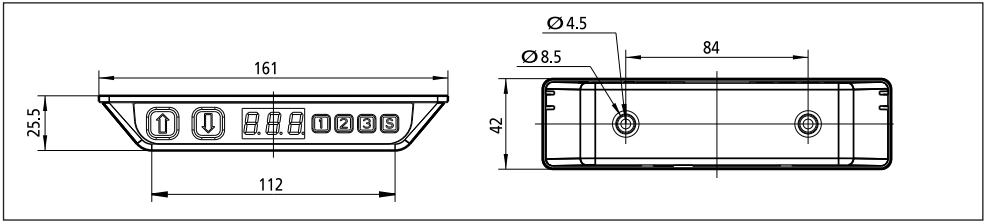


DPB with drawer

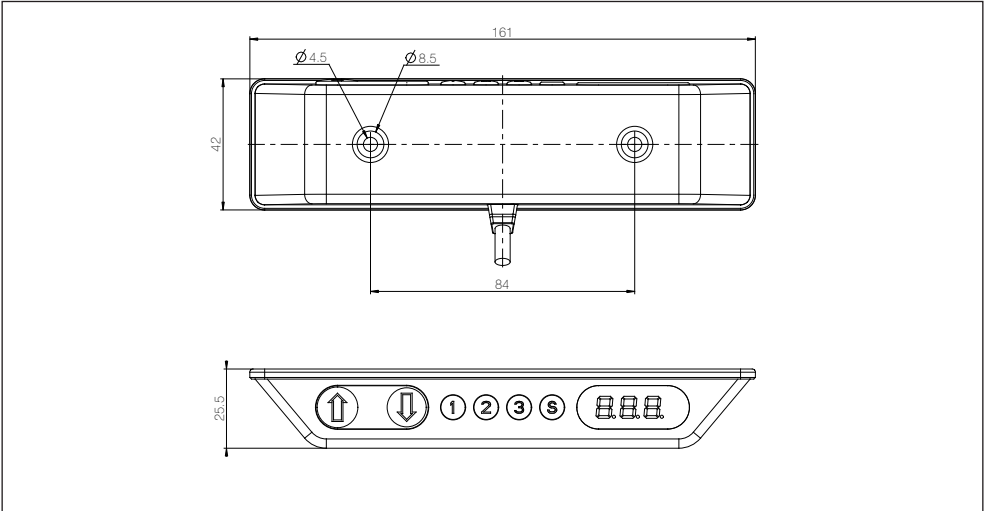




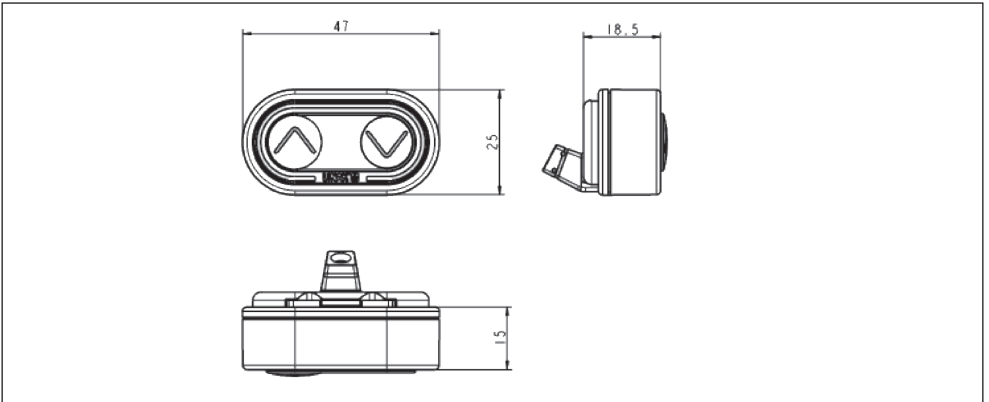
DP1C Desk Panel



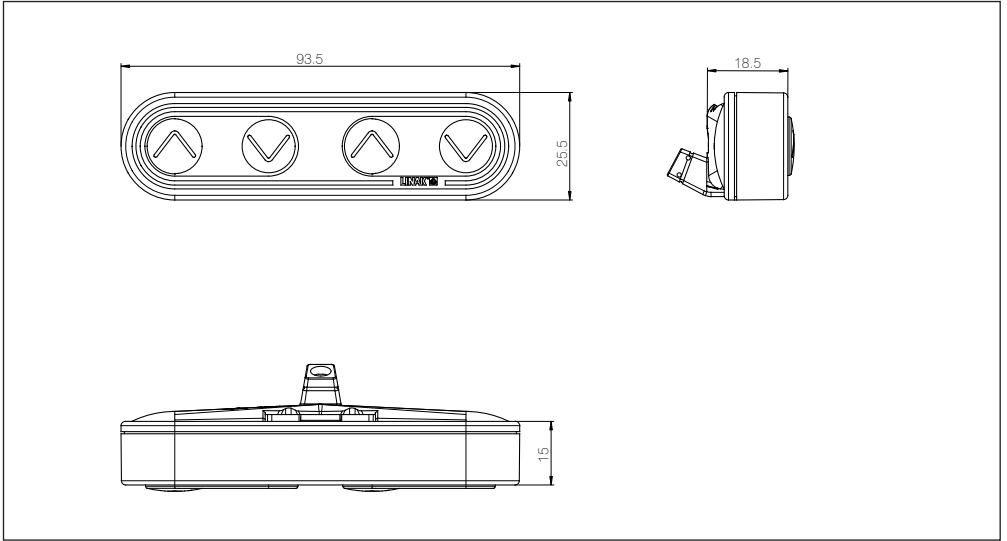
DP1CS Desk Panel



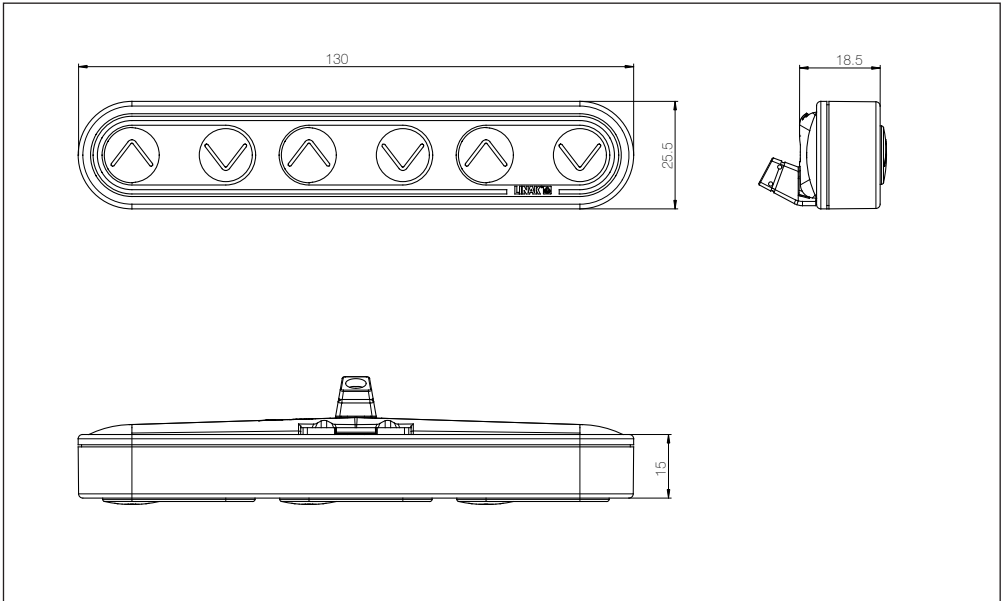
DPF1K Desk Panel



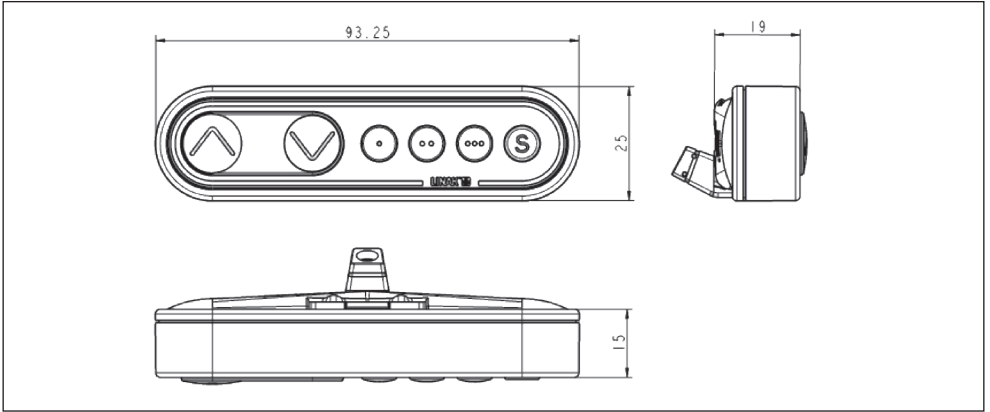
DPF2K Desk Panel



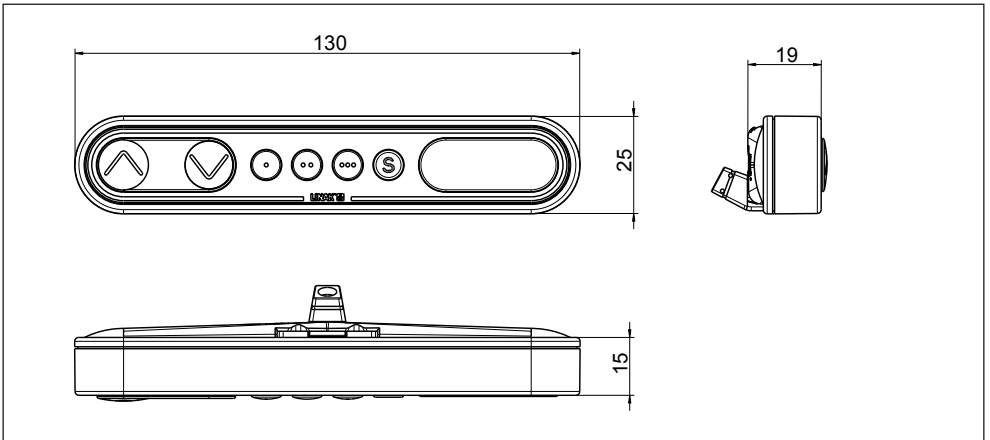
DPF3K Desk Panel



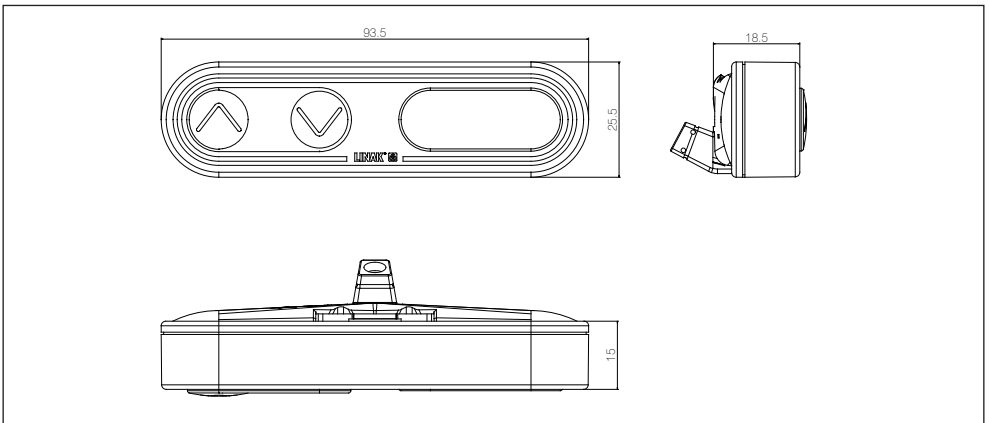
DPF1M Desk Panel



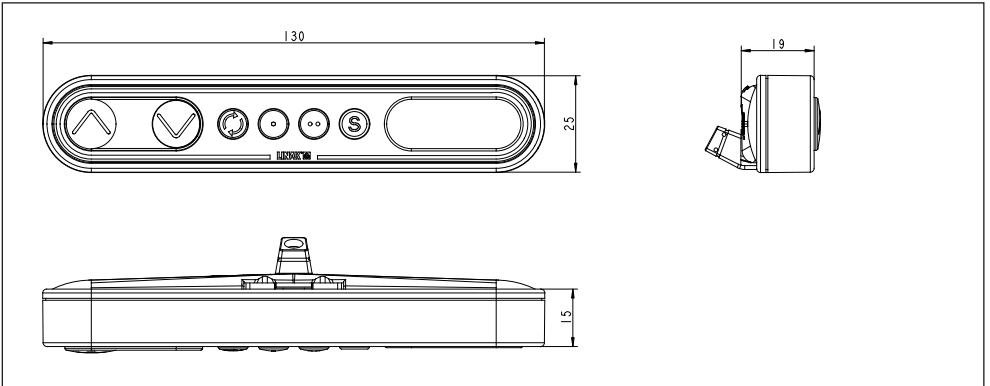
DPF1C Desk Panel with display



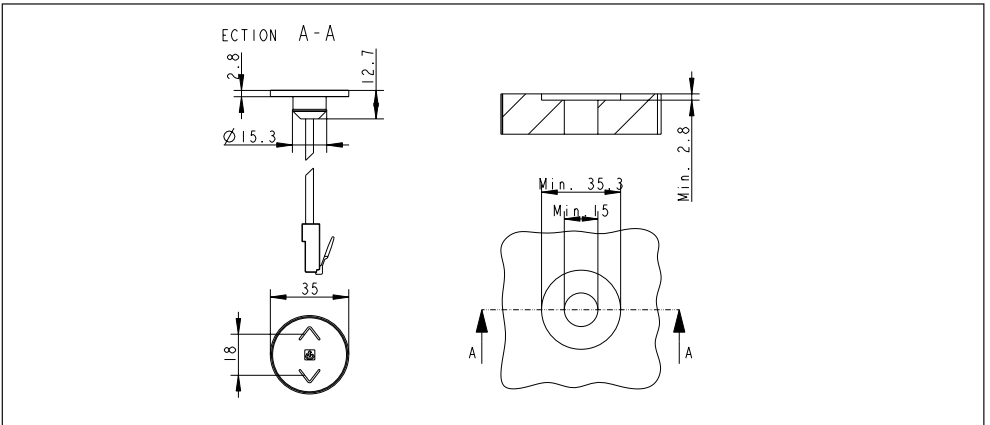
DPF1D Desk Panel



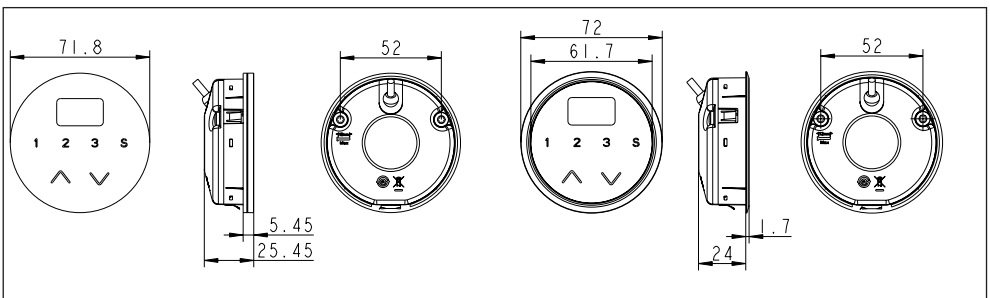
DPF4T Desk Panel



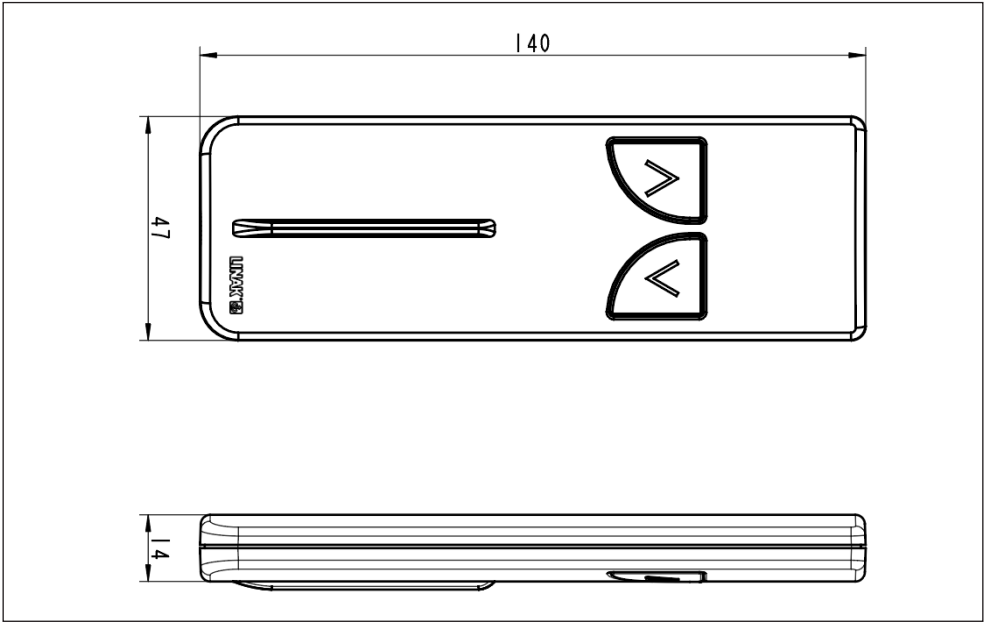
DPH Desk Panel



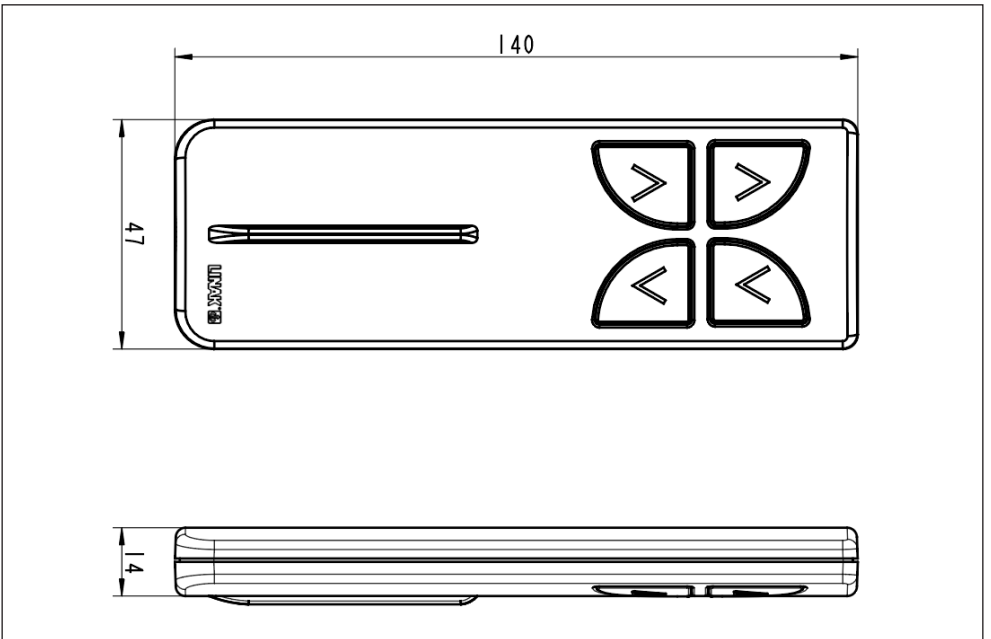
DPT Desk Panel



HB11



HB12



## **LINAK APPLICATION POLICY**

The purpose of the application policy is to define areas of responsibilities in relation to applying a LINAK product defined as hardware, software, technical advice, etc. related to an existing or new customer application.

LINAK products as defined above are applicable for a wide range of applications within the Medical, Furniture, Desk and Industry areas. Yet, LINAK cannot know all the conditions under which LINAK products will be installed, used, and operated, as each individual application is unique.

The suitability and functionality of the LINAK product and its performance under varying conditions (application, vibration, load, humidity, temperature, frequency, etc.) can only be verified by testing, and shall ultimately be the responsibility of the LINAK customer using any LINAK product.

LINAK shall be responsible solely that the LINAK products comply with the specifications set out by LINAK and it shall be the responsibility of the LINAK customer to ensure that the specific LINAK product can be used for the application in question.

## FACTORIES

### • Denmark

LINAK A/S  
Group Headquarters  
Tel: +45 73 15 15 15  
Fax: +45 74 45 80 48  
Fax (Sales): +45 73 15 16 13  
[www.linak.com](http://www.linak.com)

### • Denmark

LINAK Profiles  
Tel: +45 73 70 95 30  
[www.linak-profiles.com](http://www.linak-profiles.com)

### • China

LINAK (Shenzhen) Actuator Systems, Ltd.  
Tel: +86 755 8610 6656  
Fax: +86 755 8610 6990  
[www.linak.cn](http://www.linak.cn)

### • Slovakia

LINAK Slovakia s.r.o.  
Tel: +421 51 7563 444  
Fax: +421 51 7563 410  
[www.linak.sk](http://www.linak.sk)

### • Thailand

LINAK APAC Ltd.  
Tel: +66 33 265 400  
[www.linak.com](http://www.linak.com)

### • USA

**LINAK U.S. Inc.**  
Americas Headquarters  
Tel: +1 502 253 5595  
Fax: +1 502 253 5596  
[www.linak-us.com](http://www.linak-us.com)

## SUBSIDIARIES

### • Australia

LINAK Australia Pty. Ltd  
Tel: +61 3 8796 9777  
Fax: +61 3 8796 9778  
[www.linak.com.au](http://www.linak.com.au)

### • Austria

LINAK Repräsentanz  
Österreich (Wien)  
Tel: +43 (1) 890 7446  
Fax: +43 (1) 890 744615  
[www.linak.at](http://www.linak.at) - [www.linak.hu](http://www.linak.hu)

### • Belgium

LINAK Benelux  
(Belgium & Luxembourg)  
Tel: +32 (0)9 230 01 09  
[www.linak.be](http://www.linak.be) - [www.fr.linak.be](http://www.fr.linak.be)

### • Brazil

LINAK Do Brasil Comércio De Atuadores Ltda.  
Tel: +55 (11) 2832 7070  
Fax: +55 (11) 2832 7060  
[www.linak.com.br](http://www.linak.com.br)

### • Canada

LINAK Canada Inc.  
Tel: +1 502 253 5595  
Fax: +1 416 255 7720  
[www.linak-us.com](http://www.linak-us.com)

### • China

LINAK (Shenzhen) Actuator Systems, Ltd.  
Tel: +86 755 8610 6656  
Fax: +86 755 8610 6990  
[www.linak.cn](http://www.linak.cn)

### • Czech Republic

LINAK C&S s.r.o.  
Tel: +42 058 174 1814  
Fax: +42 058 170 2452  
[www.linak.cz](http://www.linak.cz) - [www.linak.sk](http://www.linak.sk)

### • Denmark - Headquarters

LINAK A/S - Group Headquarters  
Tel: +45 73 15 15 15  
Fax: +45 74 45 80 48  
Fax (Sales): +45 73 15 16 13  
[www.linak.com](http://www.linak.com)

### • Denmark - International

LINAK International  
Tel: +45 73 15 15 15  
[www.linak.com](http://www.linak.com)

### • Denmark - Sales

LINAK DANMARK A/S  
Tel: +45 86 80 36 11  
Fax: +45 86 82 90 51  
[www.linak.dk](http://www.linak.dk)

### • Finland

LINAK OY  
Tel: +358 10 841 8700  
[www.linak.fi](http://www.linak.fi)

### • France

LINAK FRANCE E.U.R.L  
Tel: +33 (0) 2 41 36 34 34  
Fax: +33 (0) 2 41 36 35 00  
[www.linak.fr](http://www.linak.fr)

### • Germany

LINAK GmbH  
Tel: +49 6043 9655 0  
Fax: +49 6043 9655 60  
[www.linak.de](http://www.linak.de)

### • India

LINAK A/S India Liaison Office  
Tel: +91 120 4531797  
Fax: +91 120 4786428  
[www.linak.in](http://www.linak.in)

### • Ireland

LINAK UK Limited (Ireland)  
Tel: +44 (0)121 544 2211  
Fax: +44 (0)121 544 2552  
+44 (0)796 855 1606 (UK Mobile)  
+35 387 634 6554 (Republic of Ireland Mobile)  
[www.linak.co.uk](http://www.linak.co.uk)

### • Italy

LINAK ITALIA S.r.l.  
Tel: +39 02 48 46 33 66  
Fax: +39 02 48 46 82 52  
[www.linak.it](http://www.linak.it)

### • Japan

LINAK K.K.  
Tel: 81-45-533-0802  
Fax: 81-45-533-0803  
[www.linak.jp](http://www.linak.jp)

### • Malaysia

LINAK Actuators Sdn. Bhd.  
Tel: +60 4 210 6500  
Fax: +60 4 226 8901  
[www.linak.my](http://www.linak.my)

### • Netherlands

LINAK Benelux  
Tel: +31 76 5 42 44 40  
[www.linak.nl](http://www.linak.nl)

### • New Zealand

LINAK New Zealand Ltd  
Tel: +64 9580 2071  
Fax: +64 9580 2072  
[www.linak.com.au](http://www.linak.com.au)

### • Norway

LINAK Norge AS  
Tel: +47 32 82 90 90  
[www.linak.no](http://www.linak.no)

### • Poland

LINAK Polska  
LINAK Danmark A/S (Spółka Akcyjna)  
Tel: +48 22 295 09 70/22 295 09 71  
[www.linak.pl](http://www.linak.pl)

### • Republic of Korea

LINAK Korea Ltd.  
Tel: +82 2 6231 1515  
Fax: +82 2 6231 1516  
[www.linak.kr](http://www.linak.kr)

### • Slovakia

LINAK Slovakia s.r.o.  
Tel: +421 51 7563 444  
[www.linak.sk](http://www.linak.sk)

### • Spain

LINAK Actuadores, S.L.u  
Tel: +34 93 588 27 77  
Fax: +34 93 588 27 85  
[www.linak.es](http://www.linak.es)

### • Sweden

LINAK Scandinavia AB  
Tel: +46 8 732 20 00  
Fax: +46 8 732 20 50  
[www.linak.se](http://www.linak.se)

### • Switzerland

LINAK AG  
Tel: +41 43 388 31 88  
Fax: +41 43 388 31 87  
[www.linak.ch](http://www.linak.ch) - [www.fr.linak.ch](http://www.fr.linak.ch)  
[www.it.linak.ch](http://www.it.linak.ch)

### • Taiwan

LINAK (Shenzhen) Actuator systems Ltd.  
Taiwan Representative office  
Tel: +886 2 27290068  
Fax: +886 2 27290096  
[www.linak.tw](http://www.linak.tw)

### • Thailand

LINAK APAC Ltd.  
Tel: +66 33 265 400

### • Turkey

LINAK İth. İhr. San. ve Tic. A.Ş.  
Tel: +90 312 4726338  
Fax: +90 312 4726635  
[www.linak.com.tr](http://www.linak.com.tr)

### • United Kingdom

LINAK UK Limited  
Tel: +44 (0)121 544 2211  
Fax: +44 (0)121 544 2552  
[www.linak.co.uk](http://www.linak.co.uk)

### • USA

**LINAK U.S. Inc.**  
North and South American Headquarters  
Tel: +1 502 253 5595  
Fax: +1 502 253 5596  
[www.linak-us.com](http://www.linak-us.com)  
[www.linak-latinamerica.com](http://www.linak-latinamerica.com)

## DISTRIBUTORS

### • Argentina

NOVOTEC ARGENTINA SRL  
Tel: 011-4303-8989/8900  
Fax: 011-4032-0184  
[www.novotecargentina.com](http://www.novotecargentina.com)

### • Colombia

MEM Ltda  
Tel: +57 (1) 334-7666  
Fax: +57 (1) 282-1684  
[www.mem.net.co](http://www.mem.net.co)

### • India

Mechatronics Control Equipments India Pvt Ltd  
Tel: +91-44-28558484, 85  
[www.mechatronicscontrol.com](http://www.mechatronicscontrol.com)

### • Indonesia

PT. HIMALAYA EVEREST JAYA  
Tel: +6 221 544 8956/221 544 8965  
Fax: +6 221 619 1925  
Fax (Sales): +6 221 619 4658  
[www.hej.co.id](http://www.hej.co.id)

### • Iraq

Scan Medical Tech  
Tel: +964 770 470 2202

### • Israel

NetivTech LTD  
Tel: +972 55-2266-535  
Fax: +972 2-9900-560  
[www.netivtech.com](http://www.netivtech.com)

### • Kingdom of Bahrain

Mechatronics Industrial Equipments  
Tel: +973 17280059  
Fax: +973 17910045  
[www.mechatronicsbh.com](http://www.mechatronicsbh.com)

### • Qatar

Mechatronics Industrial Equipments  
Tel: +974 44581155  
Fax: +974 44689135  
[www.mechatronicsqatar.com](http://www.mechatronicsqatar.com)

### • Singapore

Servo Dynamics Pte Ltd  
Tel: +65 6844 0288  
Fax (Sales): +65 6844 0070

### • South Africa

Industrial Specialised Applications CC  
Tel: +27 011 466 0346  
[www.isaza.co.za](http://www.isaza.co.za)

### • United Arab Emirates

Mechatronics Industrial Equipments LLC  
Tel: +971 4 267 4311  
Fax: +971 4 267 4312  
[www.mechatronics.ae](http://www.mechatronics.ae)

LINAK® accepts no responsibility for possible errors or inaccuracies in catalogues, brochures, and other material. LINAK reserves the right to change its products without prior notice. LINAK cannot guarantee product availability and reserves the right to discontinue the sale of any product. The user is responsible for determining the suitability of LINAK products for a specific application. All sales are subject to the 'Standard Terms of Sale and Delivery', available on LINAK websites. LINAK and the LINAK logotype are registered trademarks of LINAK A/S. All rights reserved.

**LINAK®** 

WE IMPROVE YOUR LIFE